



# EUROPEAN ANTENNAS

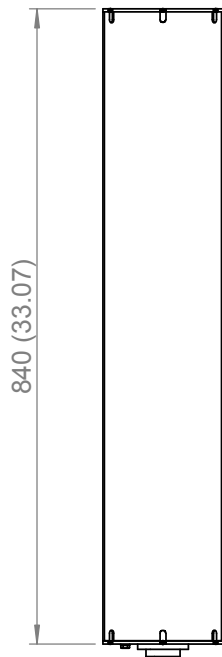
Excellence through design  
Creative in concept

## BASE STATION SECTOR ANTENNA

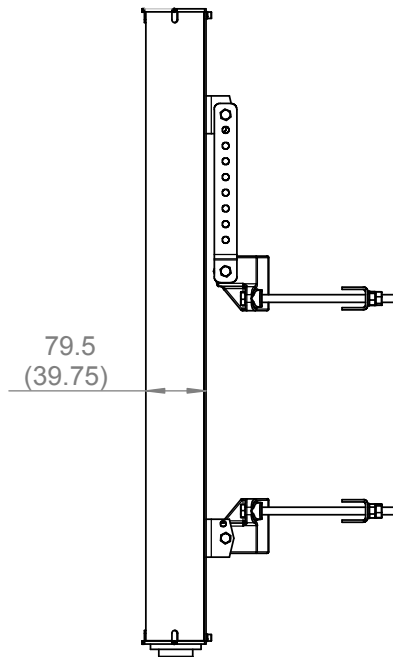
### MODEL: SA13-120-26R/600

<b>FREQUENCY:</b>	2.50 - 2.70 GHz	<b>GAIN:</b>	11.5 dBiC Typical
<b>POLARISATION:</b>	R.H. Circular	<b>BEAMWIDTH:</b>	120° (Az.) x 10° (El.) Approx.
<b>AXIAL RATIO:</b>	3 dB Typical	<b>VSWR:</b>	2 : 1 Max., 1.5 : 1 Typical
<b>POWER RATING:</b>	50 W	<b>FRONT TO BACK:</b>	20 dB Minimum
<b>TEMPERATURE:</b>	-40° to +60°C	<b>MASS:</b>	7 Kg / 15.4 lbs (Inc. Mtg. Kit)
<b>RADOME:</b>	Gloss Grey - Glass Fibre	<b>WIND LOADING:</b>	21.7 Kg/47.7 lbs @ 100 mph

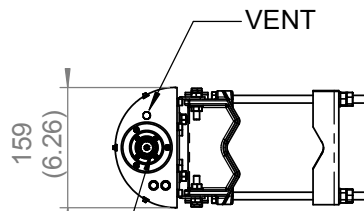
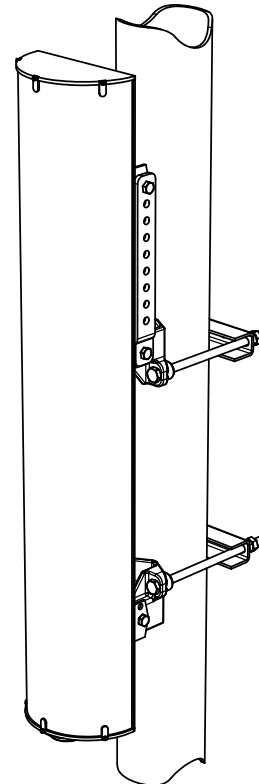
### FRONT VIEW



### SIDE VIEW



### PICTORIAL VIEW



7/16(F) CONNECTOR

### END VIEW

MOUNTING KIT (INCLUDED)  
ADJUSTABLE TO  
+21° IN ELEVATION  
& SUITS POLE SIZES  
40mm (1.6") TO 120mm (4.7")

DIMENSIONS: mm (inches) H

GA: 600-3 Issued: 070904

EUROPEAN ANTENNAS LTD.

LAMBDA HOUSE, CHEVELEY  
NEWMARKET, SUFFOLK, CB8 9RG,  
UNITED KINGDOM

Tel: +44 (0)1638 731888  
Fax: +44 (0)1638 731999

E-Mail: [sales@european-antennas.co.uk](mailto:sales@european-antennas.co.uk)  
Website: [www.european-antennas.co.uk](http://www.european-antennas.co.uk)