



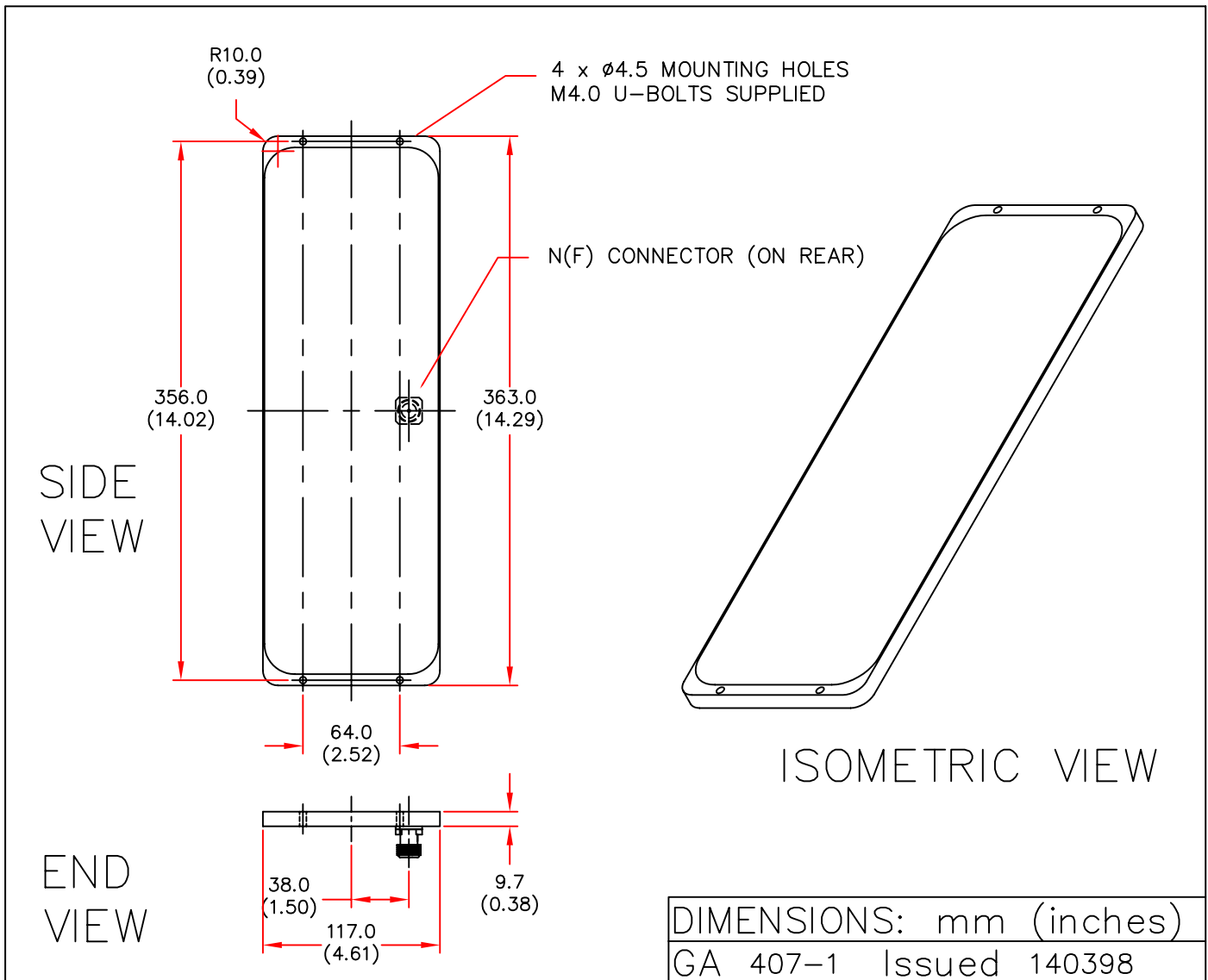
EUROPEAN ANTENNAS



SECTOR ANTENNA

MODEL: SA19-40-52R/407

FREQUENCY: 5.15-5.35 GHz	GAIN: 17.5 - 18 dBiC
POLARISATION: R.H. Circular	BEAMWIDTH: 33°(Az.) x 9°(El.)
AXIAL RATIO: 1-2 dB Typ	VSWR: 1.5 : 1
POWER RATING: 5 W	FRONT TO BACK: >30 dB
TEMPERATURE: -20°C to +50°C	MASS: 0.8Kg/1.8lbs
RADOME: Gloss White/Glass Fibre	WIND LOADING: 6.9Kg/15.1lbs@100mph



EUROPEAN ANTENNAS LTD.

TEL: +44 (0)1638 731888

LAMBDA HOUSE, CHEVELEY,
NEWMARKET, SUFFOLK, CB8 9RG,
UNITED KINGDOM.

FAX: +44 (0)1638 731999

European Antennas Ltd. has a policy of continuous development and therefore stress that the data contained on this sheet should be used for guidance only.