



# EUROPEAN ANTENNAS

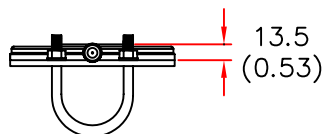


## SHROUDED YAGI ANTENNA

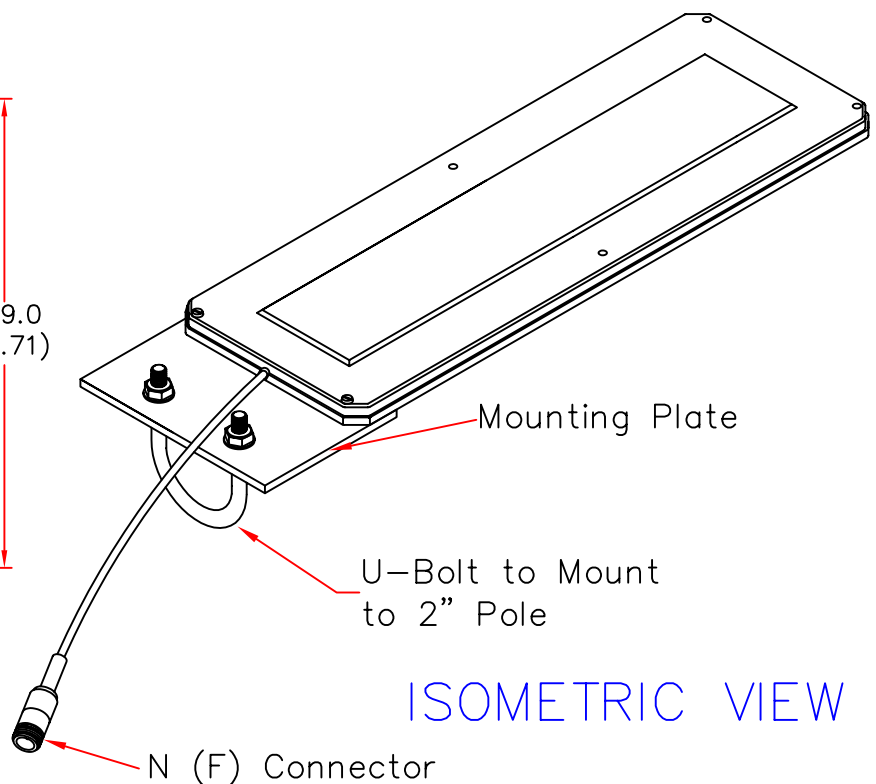
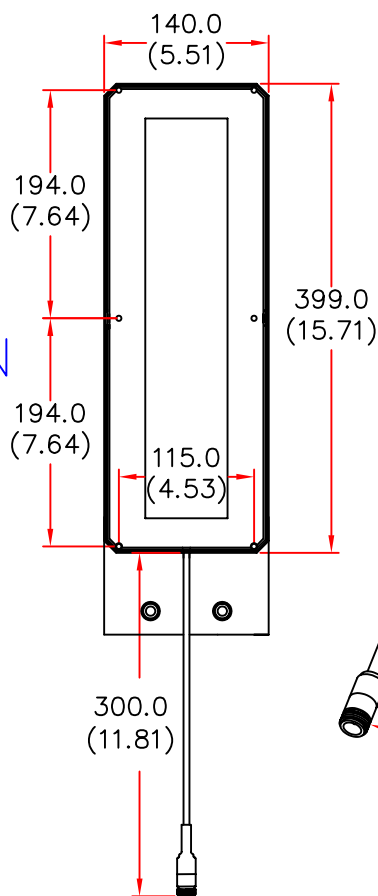
MODEL: LR14-SD2-11/531

FREQUENCY: 1.05 – 1.20 GHz	GAIN: 14dBi
POLARISATION: Linear	BEAMWIDTH: 35° x 35°
CROSS POLAR: 20dB Typical	VSWR: 2.5 : 1 Band Edges
POWER RATING: 5W	FRONT TO BACK: 20dB Typical
TEMPERATURE: -20°C to +50°C	MASS: 700g/1.5lbs Inc. Bracket
RADOME: Moulded Polymer/Grey	WIND LOADING: 10.6Kg/23.4lbs at @ 100mph

END  
VIEW



PLAN  
VIEW



ISOMETRIC VIEW

DIMENSIONS: mm (inches)  
GA 531-1 Issued 210299

EUROPEAN ANTENNAS LTD.

TEL: +44 (0)1638 731888

LAMBDA HOUSE, CHEVELEY,  
NEWMARKET, SUFFOLK, CB8 9RG,  
UNITED KINGDOM.

FAX: +44 (0)1638 731999

European Antennas Ltd. has a policy of continuous development and therefore stress that the data contained on this sheet should be used for guidance only.