



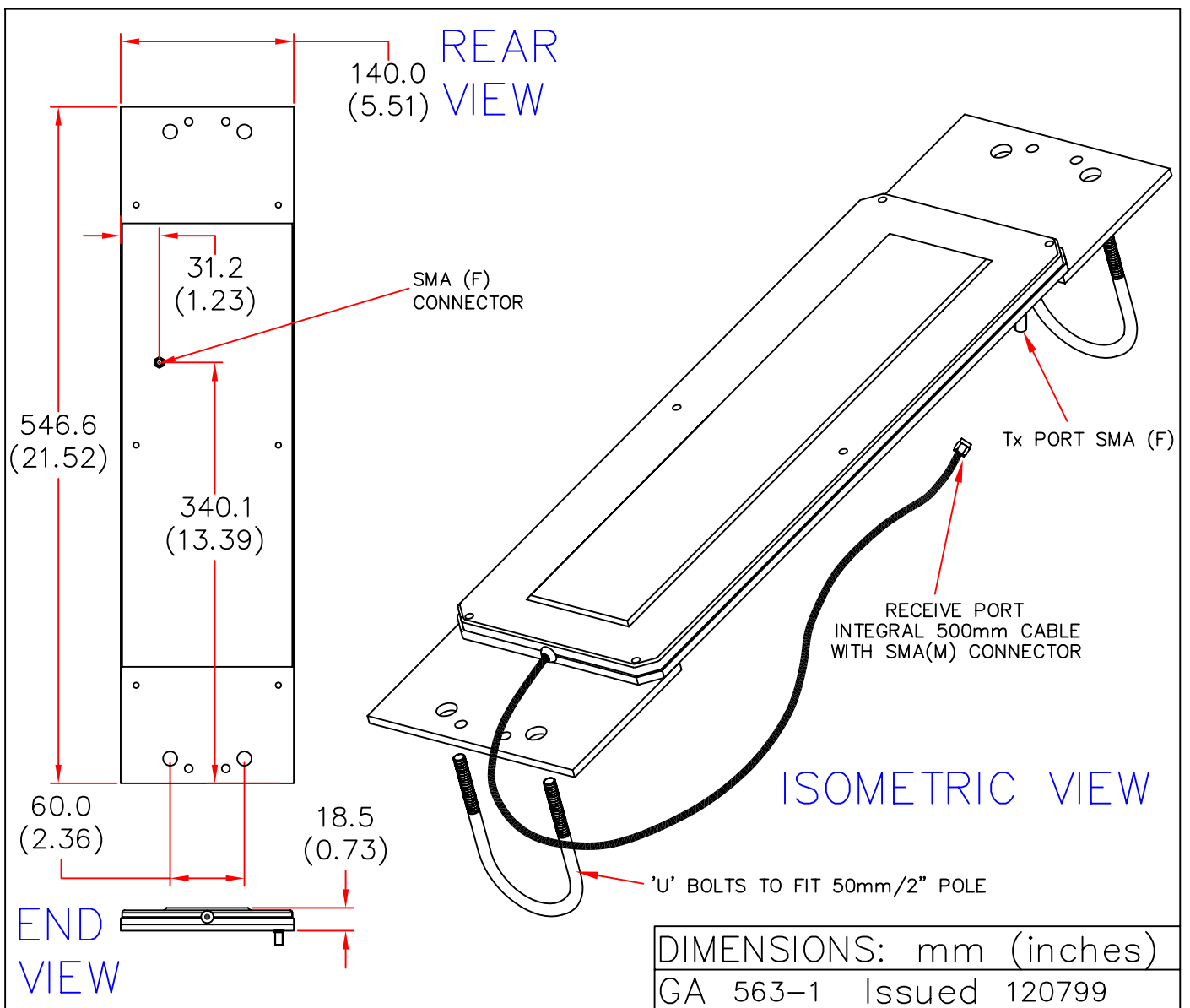
# EUROPEAN ANTENNAS



DIRECTIONAL DUAL ANTENNA WITH DIFFERENTIAL GAIN  
FOR EXTENDED RANGE WIRELESS LAN APPLICATIONS

MODEL: DSA11-6-2450R-701/563

FREQUENCY: 2.40 – 2.50 GHz	GAIN: Rx 11 dBiC,(Inc Cable) Tx 6 dBiC
POLARISATION: R.H. Circular	BEAMWIDTHS:Rx 65° x 30°, Tx 70° x 70°
FRONT TO BACK: 30 dB	VSWR: 1.5 : 1 Max
TEMPERATURE: -30°C to +55°C	MASS: 1.25 Kg/2.75lbs (Inc Brackets)
RADOME: Moulded Polymer, Grey	WIND LOADING: 9.0Kg/19.9lbs @100mph



EUROPEAN ANTENNAS LTD.

TEL: +44 (0)1638 731888

LAMBDA HOUSE, CHEVELEY,  
NEWMARKET, SUFFOLK, CB8 9RG,  
UNITED KINGDOM.

FAX: +44 (0)1638 731999

European Antennas Ltd. has a policy of continuous development and therefore stress that the data contained on this sheet should be used for guidance only.