



EUROPEAN ANTENNAS

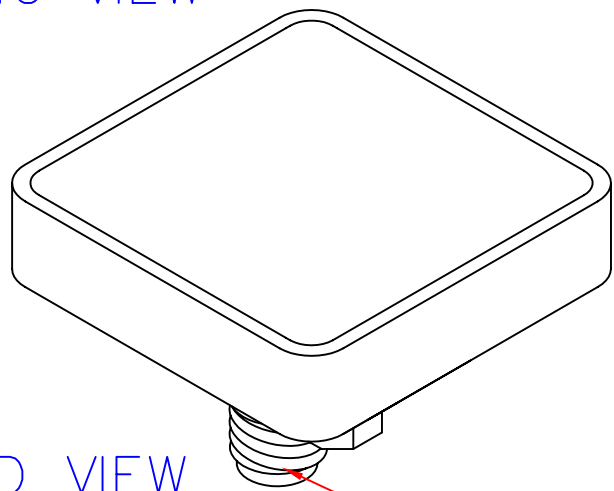


LOW PROFILE ANTENNA

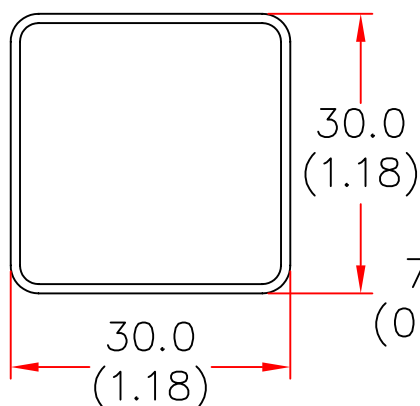
MODEL: LPA7-105R/481

FREQUENCY: 10.0 – 11.0 GHz	GAIN: 7 dBiC
POLARISATION: R.H. Circular	BEAM WIDTH: 65° x 65°
AXIAL RATIO: 3dB Typ	VSWR: 2 :1
POWER RATING: 5 W	FRONT TO BACK: 20 dB
TEMPERATURE: -20°C to +50°C	MASS: 15g/ 0.5 oz
RADOME: Gloss White	WIND LOADING: N/A

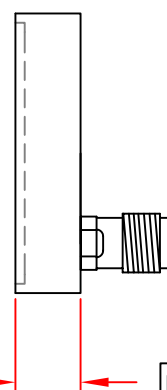
ISOMETRIC VIEW



PLAN VIEW



END VIEW



SMA(F) CONNECTOR

DIMENSIONS: mm (inches)

GA 481-1 Issued 300998

EUROPEAN ANTENNAS LTD.

TEL: +44 (0)1638 731888

LAMBDA HOUSE, CHEVELEY,
NEWMARKET, SUFFOLK, CB8 9RG,
UNITED KINGDOM.

FAX: +44 (0)1638 731999

European Antennas Ltd. has a policy of continuous development and therefore stress that the data contained on this sheet should be used for guidance only.