



EUROPEAN ANTENNAS

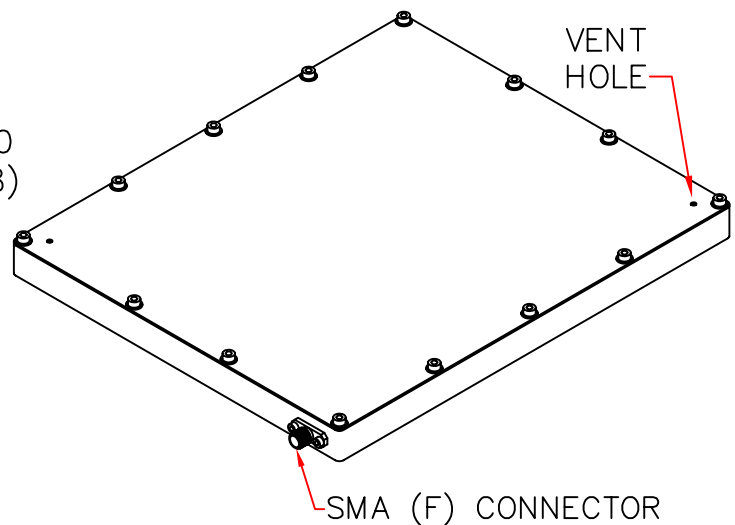
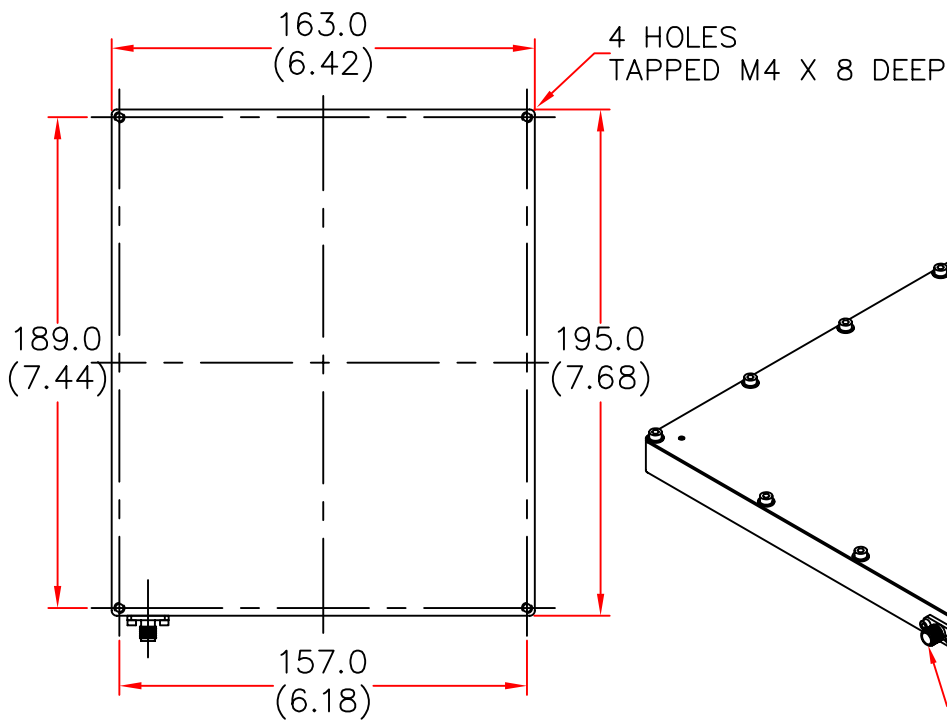


FLAT PANEL ANTENNA

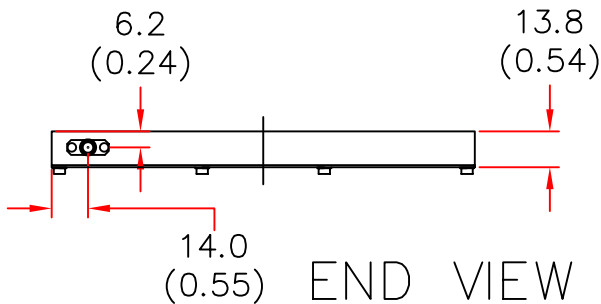
MODEL: FPA13-2250R-N1/465

FREQUENCY: 2.05 - 2.25 GHz	GAIN: 11 dBiC
POLARISATION: R H Circular	BEAMWIDTH: 40° x 40°
AXIAL RATIO: 3dB	VSWR: 1.5:1
POWER RATING: 10W	FRONT TO BACK: 20dB
TEMPERATURE: -20°C to +50°C	MASS: 620g/1.36lbs
FINISH: Unpainted Fibre Glass/Alocrom 1200 Aluminium	WIND LOADING: 5.2Kg/11.34lbs @ 100mph

REAR VIEW



ISOMETRIC VIEW



END VIEW

DIMENSIONS: mm (inches)

GA 465-2 Issued 200503

EUROPEAN ANTENNAS LTD.

TEL: +44 (0)1638 731888

LAMBDA HOUSE, CHEVELEY,
NEWMARKET, SUFFOLK, CB8 9RG,
UNITED KINGDOM.

FAX: +44 (0)1638 731999

European Antennas Ltd. has a policy of continuous development and therefore stress that the data contained on this sheet should be used for guidance only.