



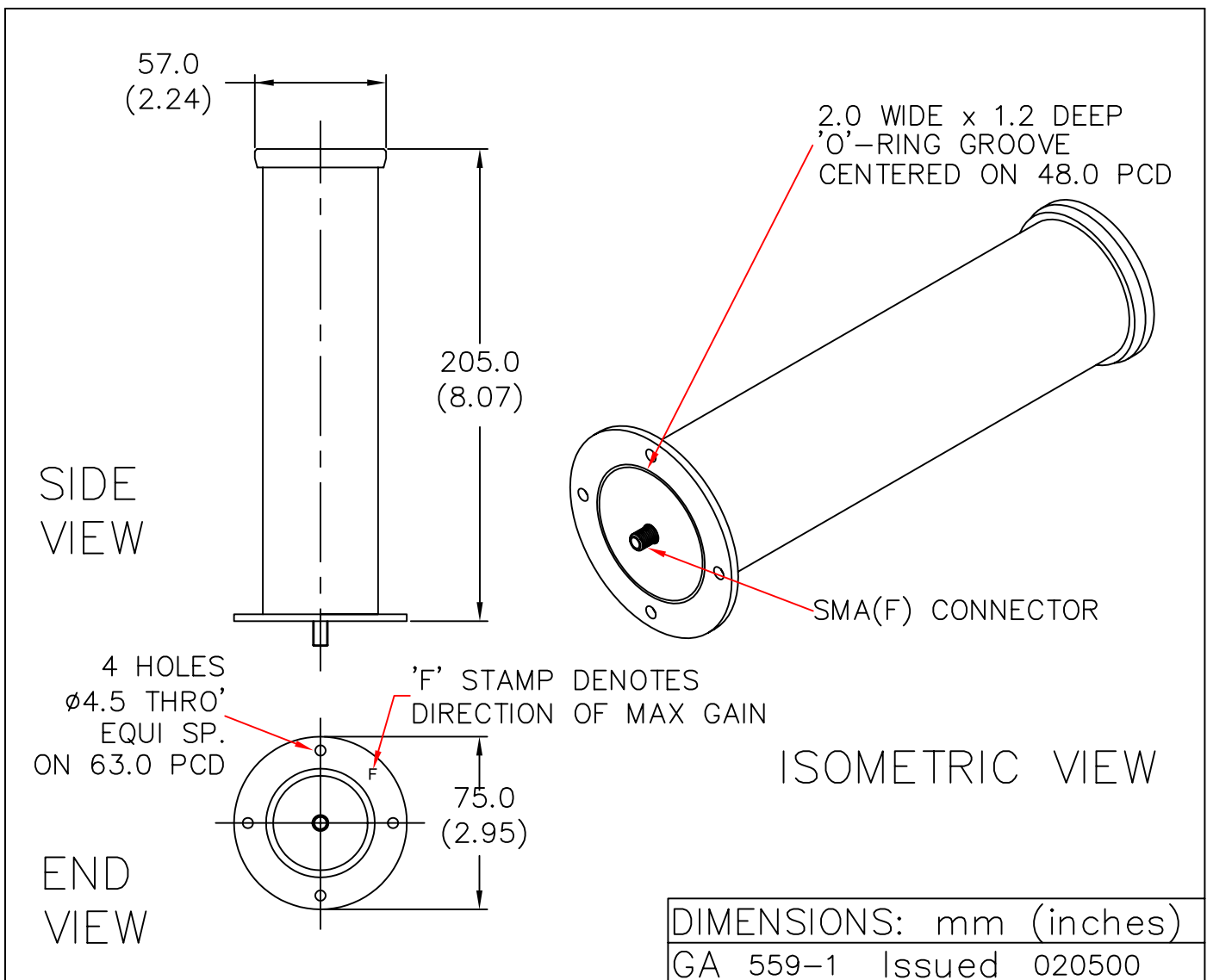
EUROPEAN ANTENNAS



SECTOR ANTENNA

MODEL: SA6-180-51V/559

FREQUENCY: 4.3-6.0 GHz	GAIN: 6dBi Nom
POLARISATION: Linear (Vertical)	BEAMWIDTH: 180° x 35° Approx.
CROSS POLAR: 15dB Typical	VSWR: 2.5:1 Max, 1.5:1 Typical
POWER RATING: 20W	FRONT TO BACK: 10dB Typical
TEMPERATURE: -30°C to +60°C	MASS: 180g/0.40lbs
RADOME: Glass Fibre/Gloss White	WIND LOADING: 1.9Kg/4.17lbs @ 100mph



EUROPEAN ANTENNAS LTD.

TEL: +44 (0)1638 731888

LAMBDA HOUSE, CHEVELEY,
NEWMARKET, SUFFOLK, CB8 9RG,
UNITED KINGDOM.

FAX: +44 (0)1638 731999

European Antennas Ltd. has a policy of continuous development and therefore stress that the data contained on this sheet should be used for guidance only.