



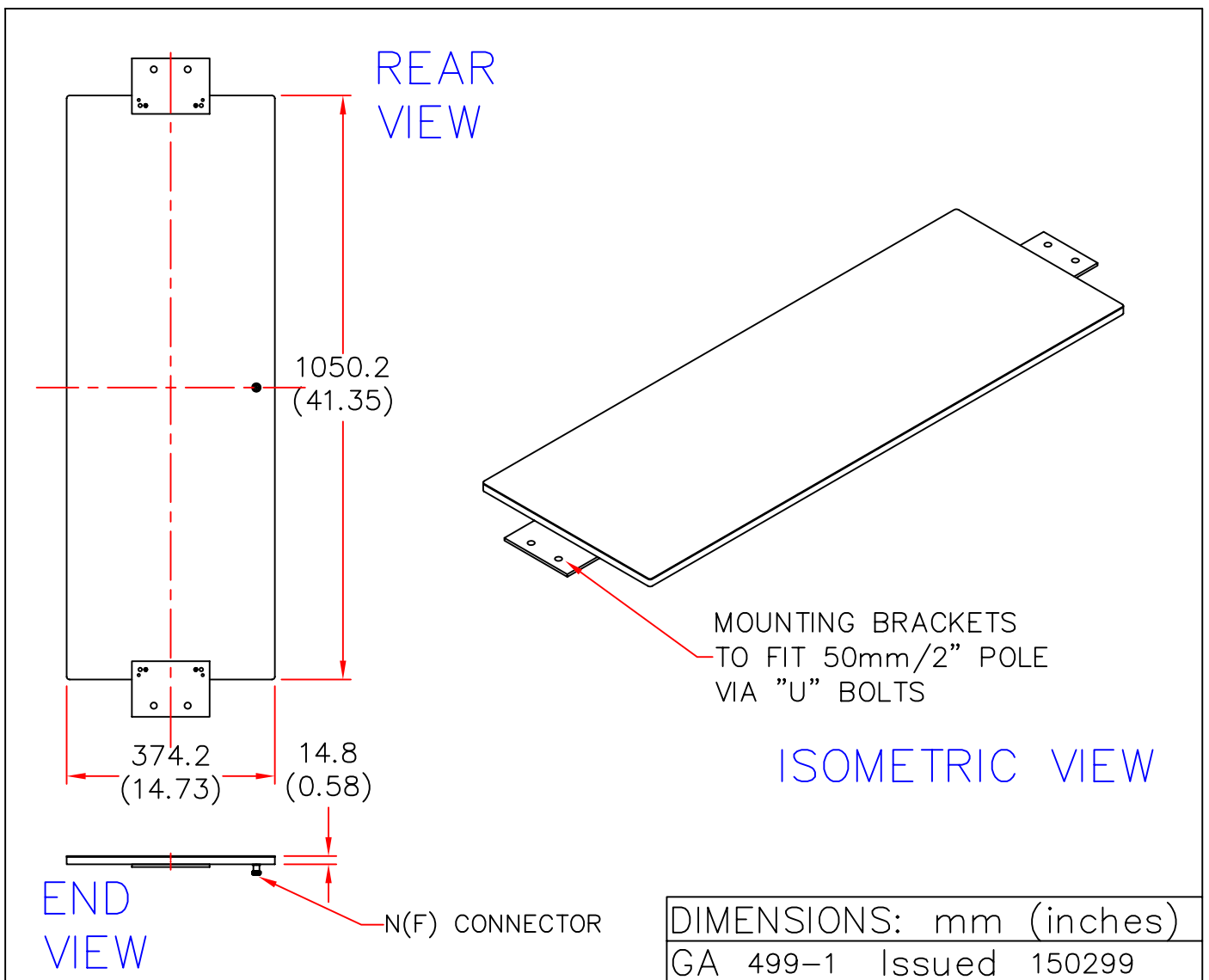
EUROPEAN ANTENNAS



SECTOR ANTENNA

MODEL: SA18-30-19V/499

FREQUENCY: 1.85-1.99 GHz	GAIN: >19dBi
POLARISATION: Linear (Vertical)	BEAMWIDTH: 30° x 8°
CROSS POLAR: 18dB Typical	VSWR: 1.5:1 Max
POWER RATING: 25W	FRONT TO BACK: >35dB
TEMPERATURE: -30°C to +50°C	MASS: 5Kg / 11lbs
RADOME: Glass Fibre Gloss White	WIND LOADING: 63.6Kg/140lbs @ 100mph



EUROPEAN ANTENNAS LTD.

TEL: +44 (0)1638 731888

LAMBDA HOUSE, CHEVELEY,
NEWMARKET, SUFFOLK, CB8 9RG,
UNITED KINGDOM.

FAX: +44 (0)1638 731999

European Antennas Ltd. has a policy of continuous development and therefore stress that the data contained on this sheet should be used for guidance only.