



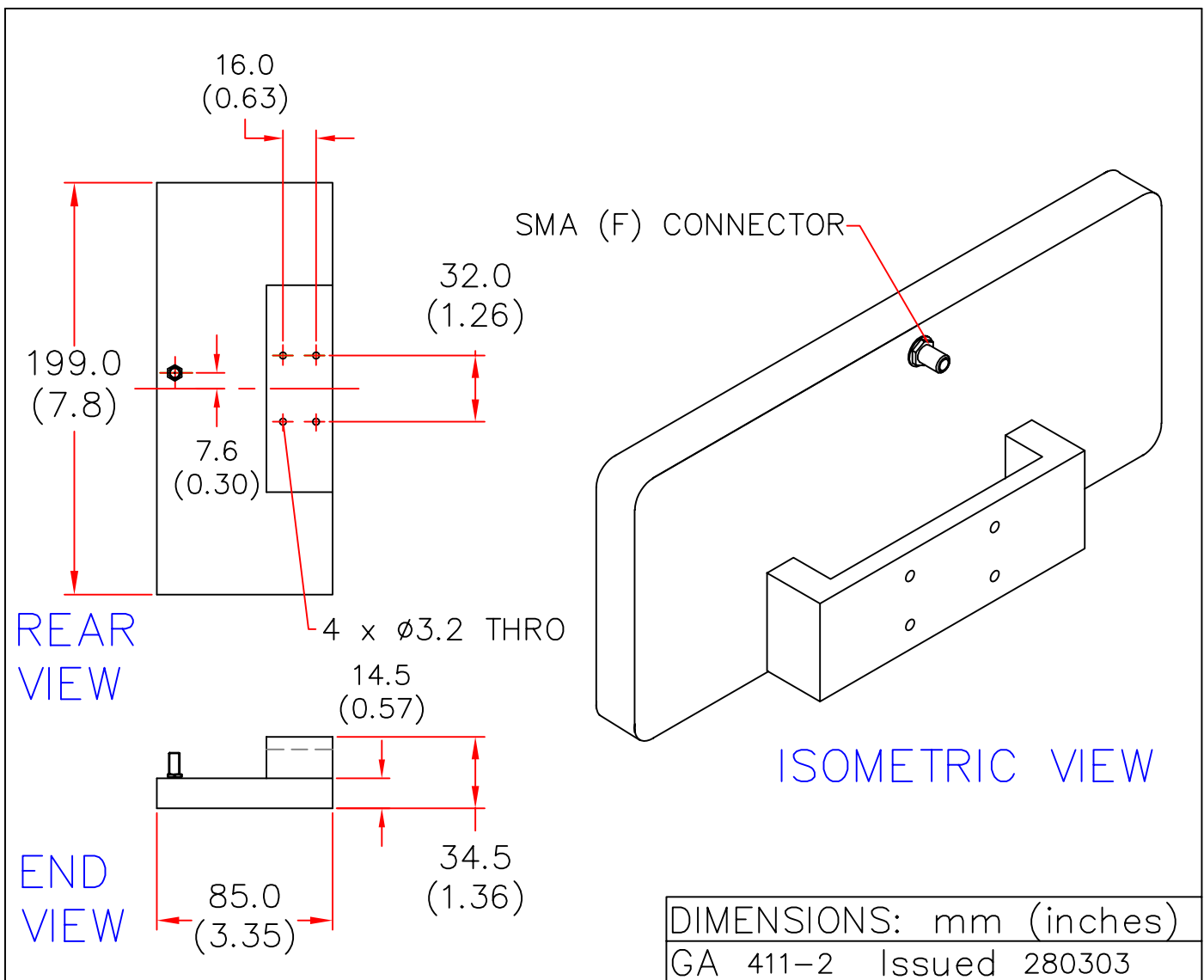
# EUROPEAN ANTENNAS



## SECTOR ANTENNA

MODEL: SA11-24R/411

FREQUENCY: 2.3-2.5 GHz	GAIN: 11 dBiC
POLARISATION: R H Circular	BEAMWIDTH: 35° (Az) x 72° (EL)
AXIAL RATIO: 2 dB TYP	VSWR: 1.5:1
POWER RATING: 5W	FRONT TO BACK: 30 dB
TEMPERATURE: -20°C to +50°C	MASS: 400 g/14 oz
RADOME: Glass fibre / Gloss white	WIND LOADING: 6.03lbs/2.74Kg @ 100 mph



EUROPEAN ANTENNAS LTD.

TEL: +44 (0)1638 731888

LAMBDA HOUSE, CHEVELEY,  
NEWMARKET, SUFFOLK, CB8 9RG,  
UNITED KINGDOM.

FAX: +44 (0)1638 731999

European Antennas Ltd. has a policy of continuous development and therefore stress that the data contained on this sheet should be used for guidance only.