



# EUROPEAN ANTENNAS

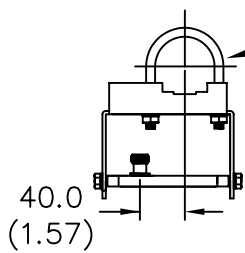


## SECTOR ANTENNA

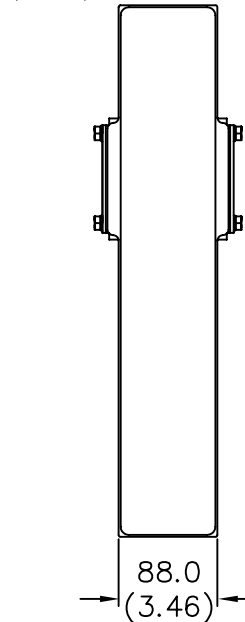
MODEL: SA16-60-35H/584

|                                   |   |
|-----------------------------------|---|
| FREQUENCY: 3.4 - 3.72 GHz         | GAIN: 16.5 dBi                              |
| POLARISATION: Linear (Horizontal) | BEAMWIDTH: 50° x 10° (ETSI CS2)             |
| CROSS POLAR: 25 dB Typical        | NULL FILL: 1st Below Horizon - 20dB         |
| POWER RATING: 20 W                | VSWR: 1.5:1 (3.4-3.6) 2.5:1 Elsewhere.      |
| TEMPERATURE: -30°C to +60°C       | FRONT TO BACK: 25 dB Minimum                |
| FINISH: Glass Fibre Gloss White   | MASS: 1.15 Kg/2.53 lbs (Including Brackets) |
| ELECTRICAL TILT: 2° Down          | WIND LOADING: 7.0Kg/15.6lbs @ 100mph        |

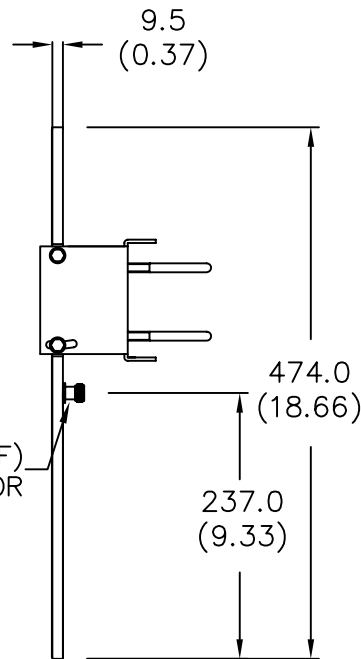
END VIEW



MOUNTING VIA U-BOLTS  
TO 50mm (2") POLE

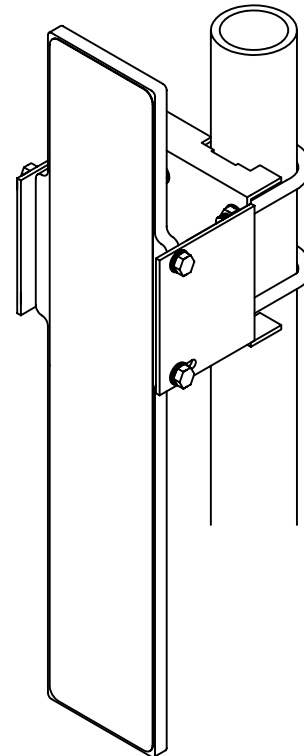


FRONT VIEW



SIDE VIEW

MOUNTING KIT  
ADJUSTABLE FOR  
+5° / -10° IN  
ELEVATION



ISOMETRIC VIEW

ETSI CS2 COMPLIANT PRODUCT

DIMENSIONS: mm (inches)

GA 584 - 5 Issued 270203

EUROPEAN ANTENNAS LTD.

TEL: +44 (0)1638 731888

LAMBDA HOUSE, CHEVELEY,  
NEWMARKET, SUFFOLK, CB8 9RG,  
UNITED KINGDOM.

FAX: +44 (0)1638 731999

European Antennas Ltd. has a policy of continuous development and therefore stress that the data contained on this sheet should be used for guidance only.