



EUROPEAN ANTENNAS

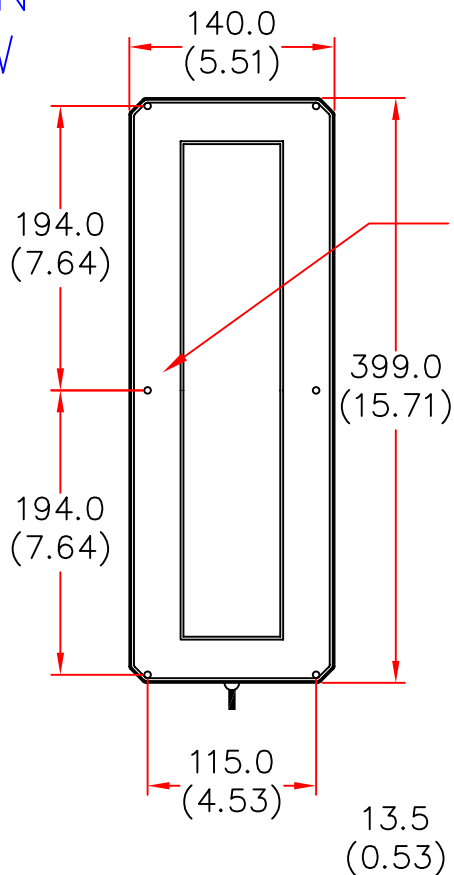


SECTOR ANTENNA

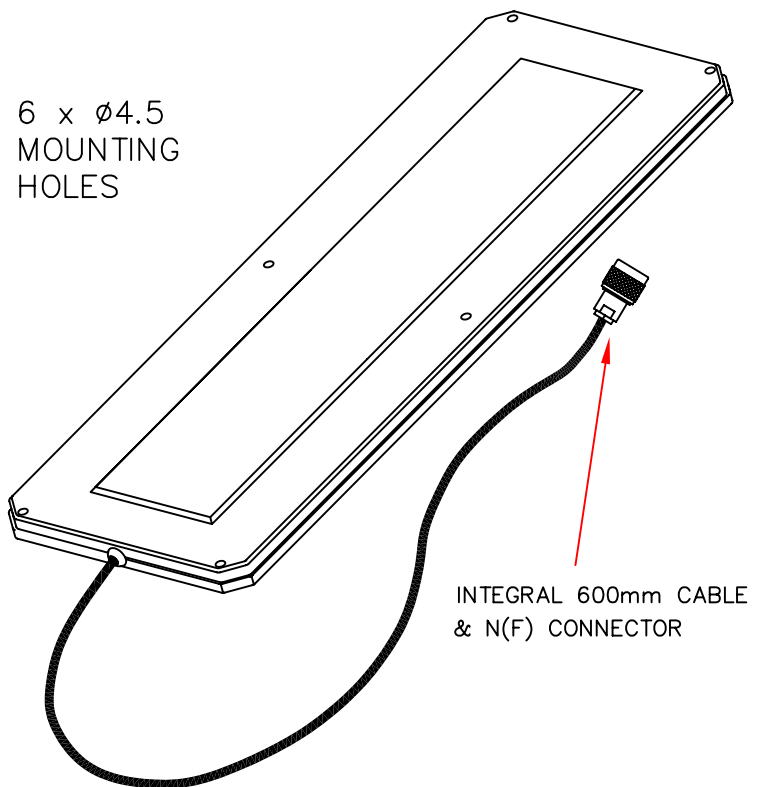
MODEL: SA14-24R/521

FREQUENCY: 2.40 - 2.50 GHz	GAIN: 13 dBiC (Including Cable)
POLARISATION: R.H. Circular	BEAMWIDTH: 65° (azimuth) x 20° (elevation)
AXIAL RATIO: 2-3dB	VSWR: 1.5 : 1 Max
POWER RATING: 5 W	FRONT TO BACK: 30 dB
TEMPERATURE: -25°C to +50°C	MASS: 0.65 Kg/1.43lbs
RADOME: Moulded Polymer, Painted Gloss White	WIND LOADING: 9.0Kg/19.9lbs @100mph

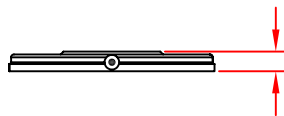
PLAN VIEW



ISOMETRIC VIEW



END VIEW



DIMENSIONS: mm (inches)

GA 521-1 Issued 250399

EUROPEAN ANTENNAS LTD.

TEL: +44 (0)1638 731888

LAMBDA HOUSE, CHEVELEY,
NEWMARKET, SUFFOLK, CB8 9RG,
UNITED KINGDOM.

FAX: +44 (0)1638 731999

European Antennas Ltd. has a policy of continuous development and therefore stress that the data contained on this sheet should be used for guidance only.