



# EUROPEAN ANTENNAS

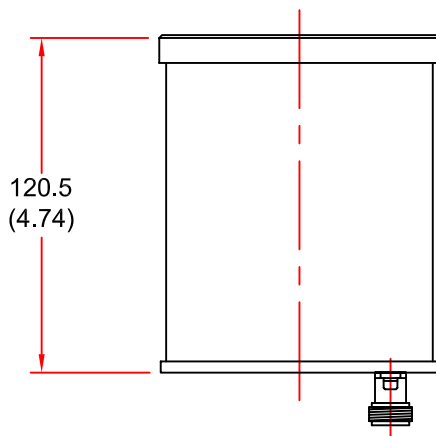
Excellence through design  
Creative in concept



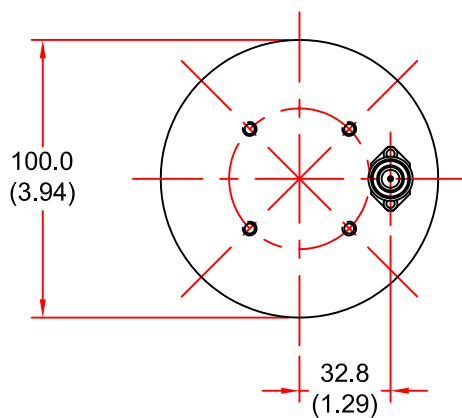
## CIRCULAR POLARISED OMNI ANTENNA

MODEL: RCO3-19-27/592

FREQUENCY:	1.9 - 2.7 GHz	GAIN:	3 dBiC Typical
POLARISATION:	Right Hand Circular	BEAMWIDTH:	360° x 60°
POWER RATING:	20 W	VSWR:	2.0 : 1 Max
TEMPERATURE:	-40°C to +70°C	MASS:	0.5 Kg/1.1 lbs
RADOME:	Glass Fibre/Gloss White	WIND LOADING:	2.0 Kg/4.3 lbs @ 100 mph

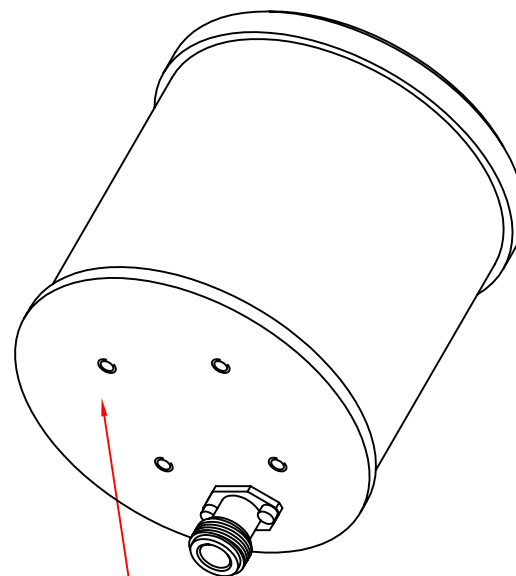


SIDE VIEW



BASE VIEW

ISOMETRIC VIEW



N(F) CONNECTOR

MOUNTING VIA 4 x M6.0 x 10.0 HOLES  
ON 50.7 (2") PCD.

DIMENSIONS: mm (inches)

GA 592-1 Issued 301199

EUROPEAN ANTENNAS LTD.

LAMBDA HOUSE, CHEVELEY,  
NEWMARKET, SUFFOLK, CB8 9RG,  
UNITED KINGDOM.

TEL: +44 (0)1638 731888

FAX: +44 (0)1638 731999

E-Mail: [sales@european-antennas.co.uk](mailto:sales@european-antennas.co.uk)

Website: [www.european-antennas.co.uk](http://www.european-antennas.co.uk)