

FPA13-110V/303

COBHAM

Directional Antenna

The most important thing we build is trust

Designed for Security Applications

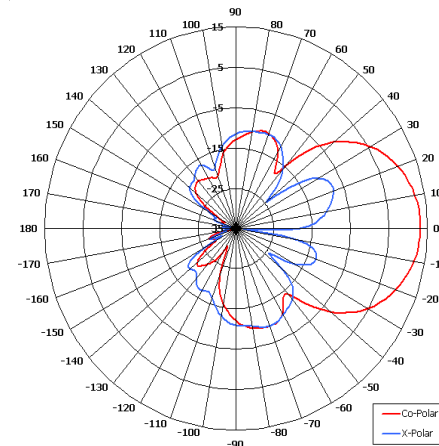
Wide Band

High Frequency

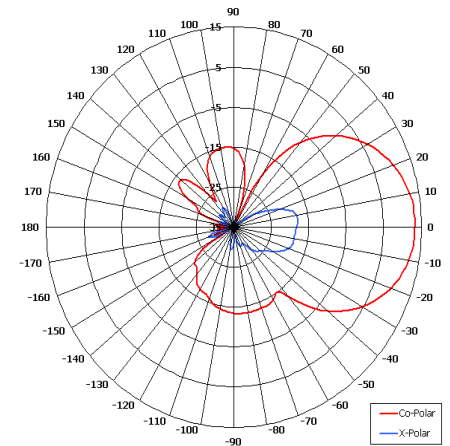
Vertical Polarisation

Low Profile

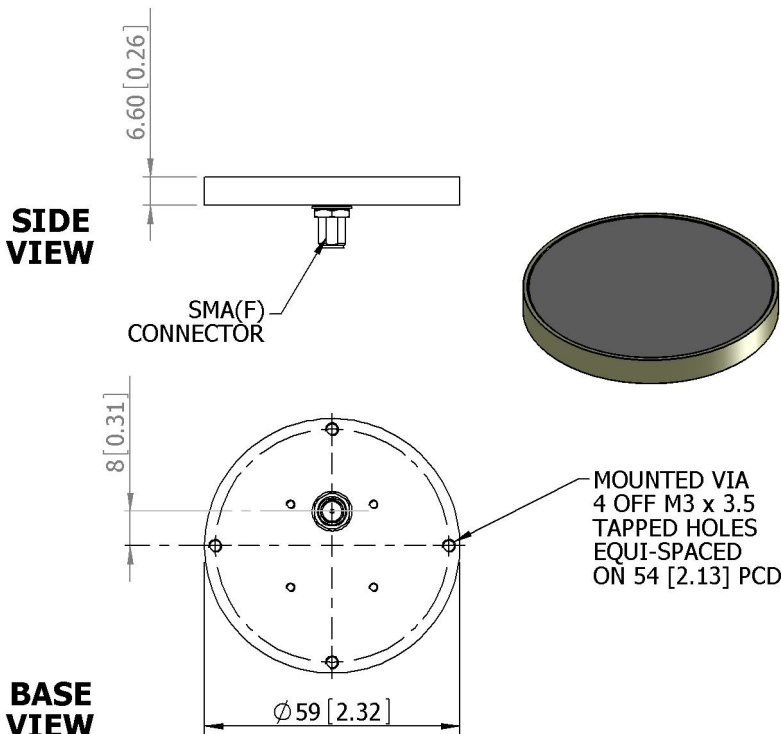
Lightweight



Azimuth Pattern



Elevation Pattern



GA: 0303

ELECTRICAL

Frequency	9.00 - 11.50 GHz
Gain	13 dBi Nom
Polarisation	Linear (Vertical)
Beamwidth	40° (Az) x 40° (El) Approx
Cross Polar	20 dB Typ
VSWR	1.5:1 Typ 2:1 Max
Power Rating	5 W
Front to Back	25 dB

MECHANICAL

Standard Finish	Dark Grey Radome Alocrom Housing
Mass	50 g (1.7 oz)
Temperature	-20° to +50° C
Wind Loading	N/A

MOUNTING OPTIONS

Kits Available	N/A
----------------	-----

See separate data sheets

ADDITIONAL NOTES

Issued 161210

European Antennas Limited trading as Cobham Antenna Systems, Microwave Antennas

European Antennas Limited has a policy of continuous development and stress that the information provided is a guide only and does not constitute an offer or contract or part thereof. Whilst every effort is made to ensure the accuracy of the information contained in this brochure, no responsibility can be accepted for any errors or omissions.

The copyright of antenna designs and images is copyright protected and owned by European Antennas Limited.
©European Antennas Limited

For further information please contact:

Cobham Antenna Systems, Microwave Antennas
Lambda House, Cheveley,
Newmarket, Suffolk CB8 9RG, UK.
Tel +44 (0)1638 732 177
Fax +44 (0) 1638 731999
Email newmarket.sales@cobham.com