

SA13-22R/205

COBHAM

Sector Antenna

The most important thing we build is trust

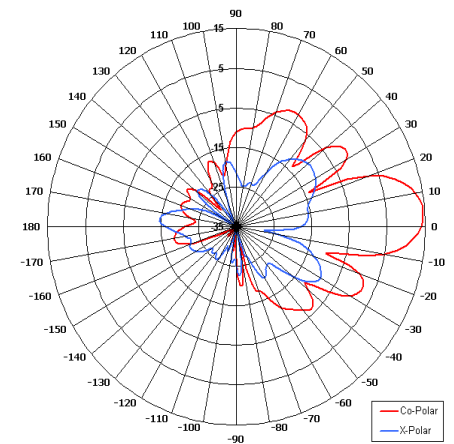
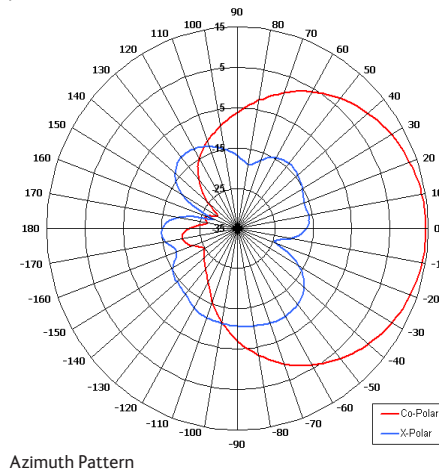
Designed for Commercial Applications

Suitable for Multiple Applications

Right Hand Circular Polarised

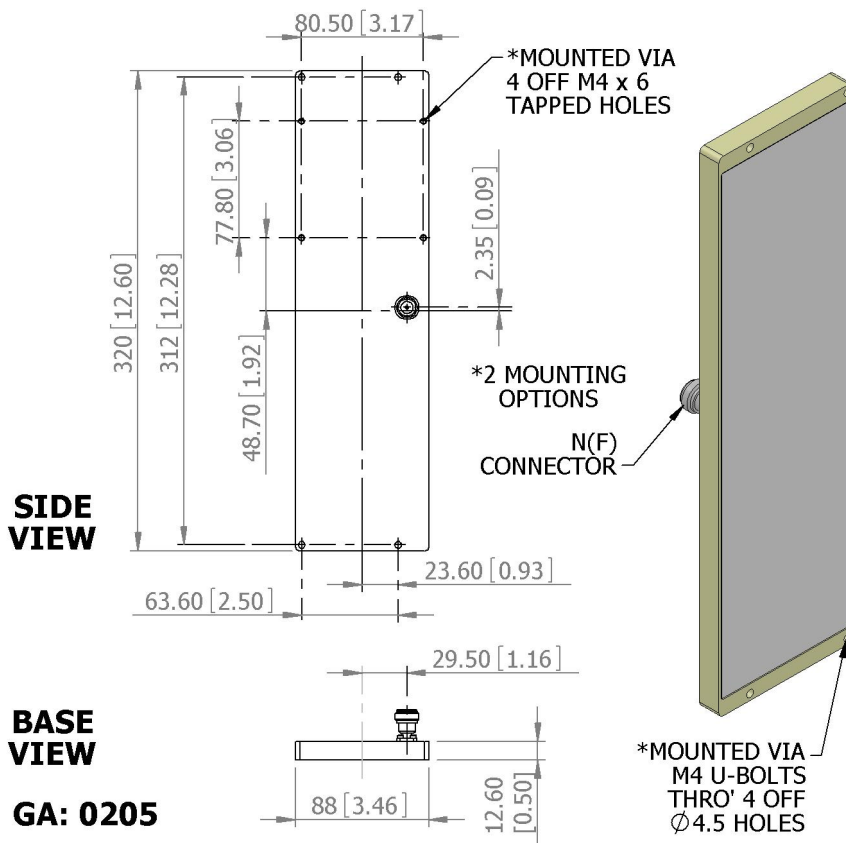
Low Profile

Compact



Azimuth Pattern

Elevation Pattern



SIDE VIEW

BASE VIEW

GA: 0205

ELECTRICAL

Frequency	2.10 - 2.30 GHz
Gain	11.5 dBi Nom
Polarisation	Right Hand Circular
Beamwidth	80° (Az) x 20° (El) Approx
Axial Ratio	3 dB Typ
VSWR	1.5:1 into 50 Ohms
Power Rating	10 W
Front to Back	30 dB

MECHANICAL

Standard Finish	Gloss White
Mass	465g (16.4 oz)
Temperature	-20° to +50°C
Wind Loading	4.5 Kg (10.0 lbs) @ 100mph

MOUNTING OPTIONS

Kits Available	M4 U Bolts, MK4
See separate data sheets	

ADDITIONAL NOTES

Issued 231210

European Antennas Limited trading as Cobham Antenna Systems, Microwave Antennas

European Antennas Limited has a policy of continuous development and stress that the information provided is a guide only and does not constitute an offer or contract or part thereof. Whilst every effort is made to ensure the accuracy of the information contained in this brochure, no responsibility can be accepted for any errors or omissions.

The copyright of antenna designs and images is copyright protected and owned by European Antennas Limited.
©European Antennas Limited

For further information please contact:

Cobham Antenna Systems, Microwave Antennas
Lambda House, Cheveley,
Newmarket, Suffolk CB8 9RG, UK.
Tel +44 (0)1638 732 177
Fax +44 (0) 1638 731999
Email newmarket.sales@cobham.com