

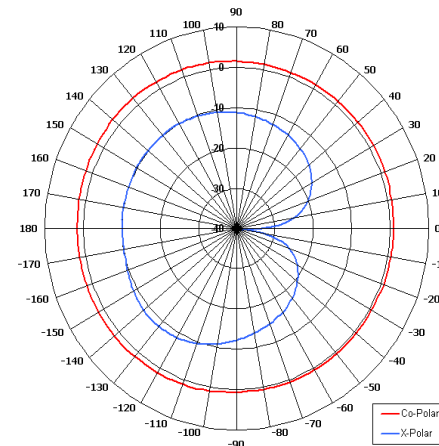
RC03-1394/394

COBHAM

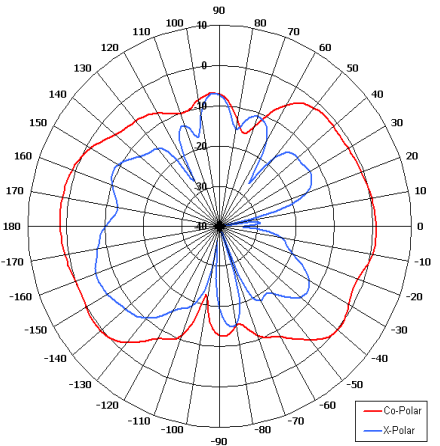
Omni Antenna

The most important thing we build is trust

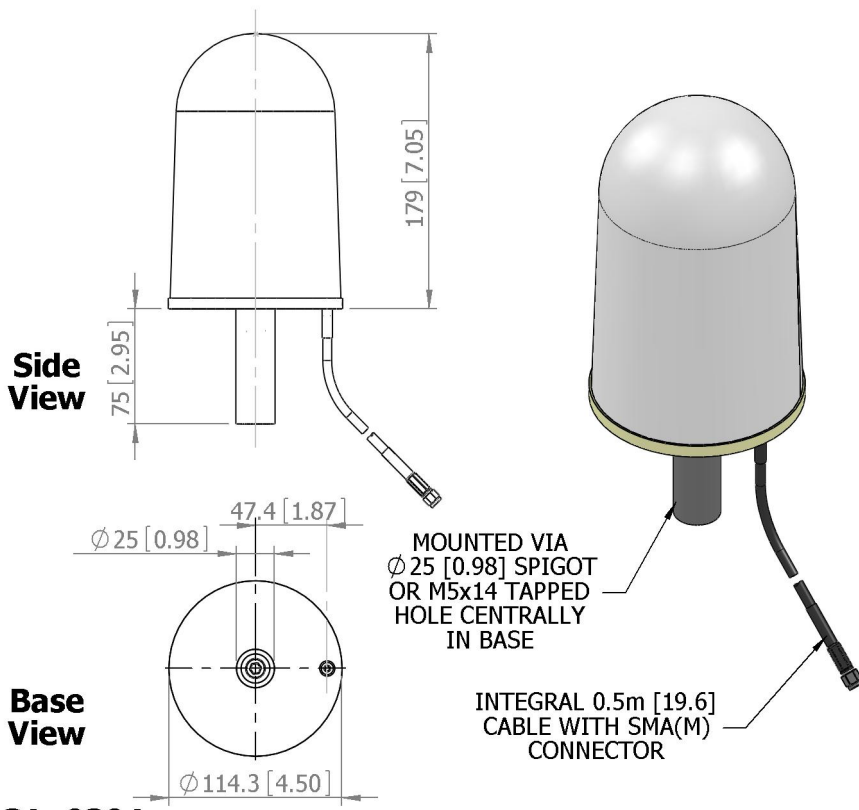
- Designed for Security Applications
- Suitable for Multiple Applications
- Right Hand Circular Polarised
- Compact



Azimuth Pattern



Elevation Pattern



GA: 0394

ELECTRICAL

Frequency	1.30 - 1.45 GHz
Gain	3 dBiC Nom
Polarisation	Right Hand Circular
Beamwidth	360° (Az) x 80° (El) Approx
Axial Ratio	3-4 dB Typ
VSWR	1.5:1
Power Rating	20 W
Front to Back	N/A

MECHANICAL

Standard Finish	White Moulded ABS
Mass	0.7 Kg (1.5 lbs)
Temperature	-20° to +50°C
Wind Loading	3.2 Kg (7.0lbs) @ 100mph

MOUNTING OPTIONS

Kits Available	N/A
----------------	-----

See separate data sheets

ADDITIONAL NOTES

Issued 090910

European Antennas Limited trading as Cobham Antenna Systems, Microwave Antennas

European Antennas Limited has a policy of continuous development and stress that the information provided is a guide only and does not constitute an offer or contract or part thereof. Whilst every effort is made to ensure the accuracy of the information contained in this brochure, no responsibility can be accepted for any errors or omissions.

The copyright of antenna designs and images is copyright protected and owned by European Antennas Limited.
©European Antennas Limited

For further information please contact:

Cobham Antenna Systems, Microwave Antennas
Lambda House, Cheveley,
Newmarket, Suffolk CB8 9RG, UK.
Tel +44 (0)1638 732 177
Fax +44 (0) 1638 731999
Email newmarket.sales@cobham.com