



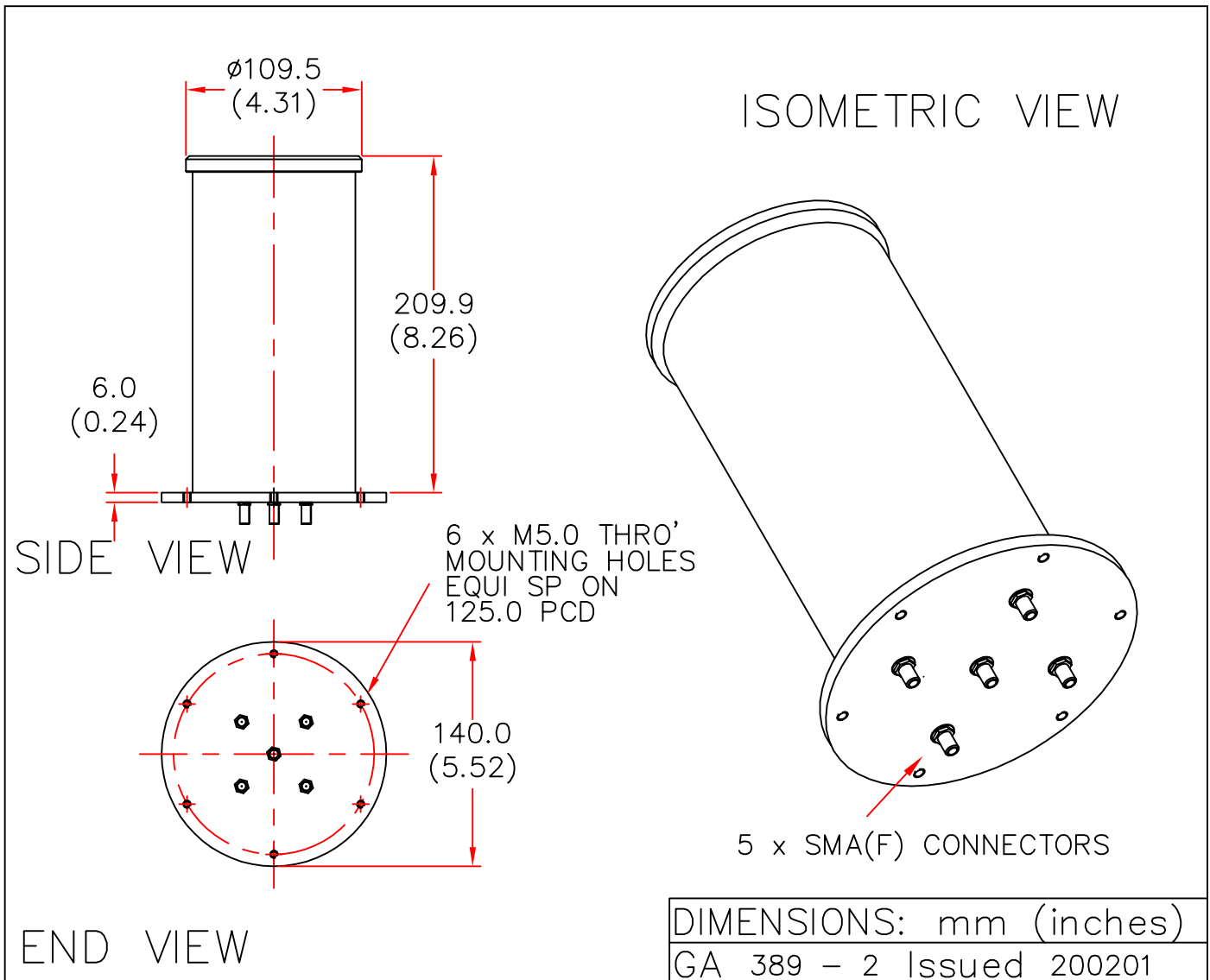
# EUROPEAN ANTENNAS



## MULTI SECTOR ANTENNA – HELICOPTER MOUNT

MODEL: MSA5-10-24R/389

FREQUENCY: 2.3 – 2.5 GHz	GAIN: 10 dBiC Sectors, 6 dBiC Overhead
POLARISATION: R.H. Circular	BEAMWIDTH: 90°x40° Sectors 90°x90° Overhead
AXIAL RATIO: 2 – 3 dB Typical	VSWR: 1.5 : 1
POWER RATING: 10 W	FRONT TO BACK: N/A
TEMPERATURE: -20°C to +50°C	MASS: 0.9 Kg/2.0 lbs
RADOME: Glass Fibre/Gloss White	WIND LOADING: 3.5Kg/7.7lbs @100mph



EUROPEAN ANTENNAS LTD.

TEL: +44 (0)1638 731888

LAMBDA HOUSE, CHEVELEY,  
NEWMARKET, SUFFOLK, CB8 9RG,  
UNITED KINGDOM.

FAX: +44 (0)1638 731999

European Antennas Ltd. has a policy of continuous development and therefore stress that the data contained on this sheet should be used for guidance only.