

# 6-WAY POWER DIVIDER (HIGH POWER) HC6-1080-01/224



## ELECTRICAL

FREQUENCY:	960 - 1215 MHz
POWER SPLIT:	1:6
INSERTION LOSS:	0.6 dB r.m.s. Max.
PHASE BALANCE:	5° Max. (any pair of inputs)
LOAD & SOURCE VSWR:	2:1 Max.
POWER RATING:	6 x 1.0 kW Nom. 6 x 1.5 kW abs. Max.
AMPLITUDE BALANCE:	0.4 dB Max. ±0.20 dB (any pair of inputs)
ISOLATION:	10 dB Min. (ports 1-3 & 4-6) 17 dB Min. (all 9 other pairs) 14 dB Min. (inputs) 14 dB Min. (outputs)

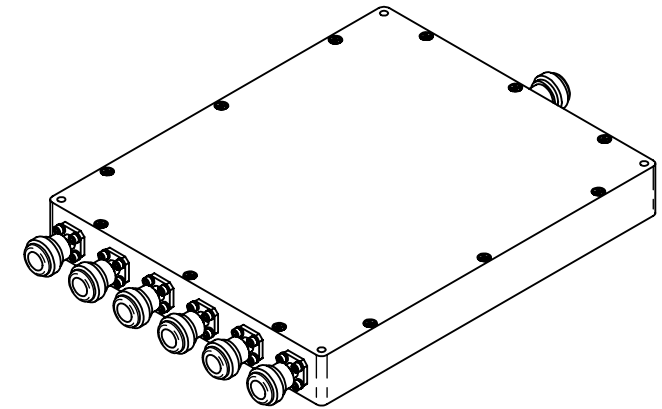
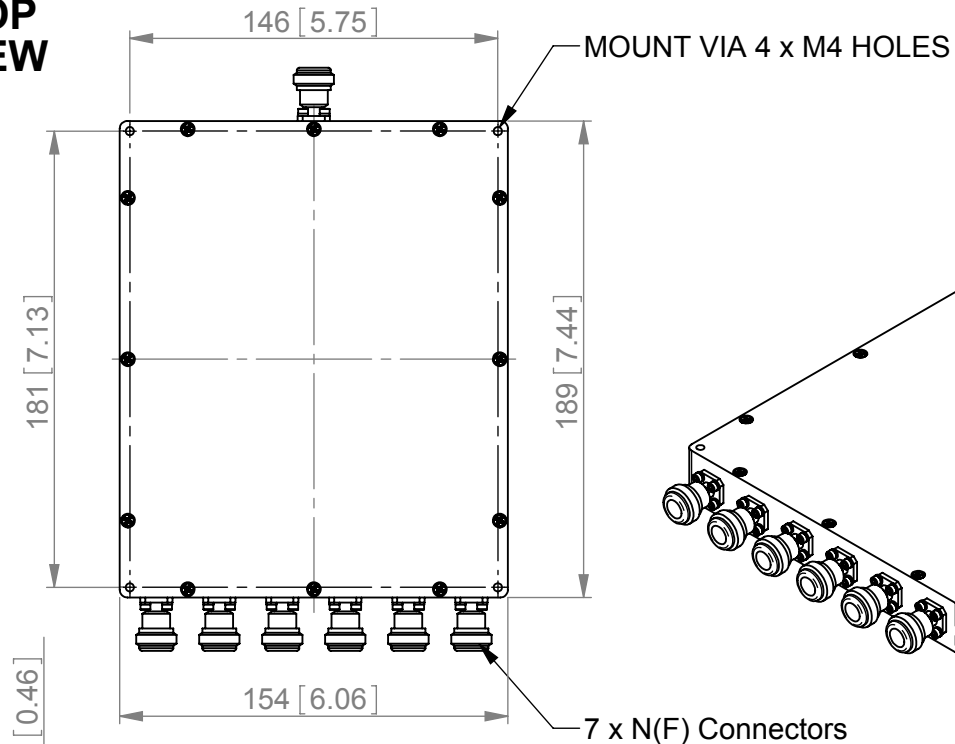
## MECHANICAL

STANDARD FINISH:	Alocrom 1200
TEMPERATURE:	-10° to +70°C
WIND LOADING:	N/A

## MOUNTING OPTIONS

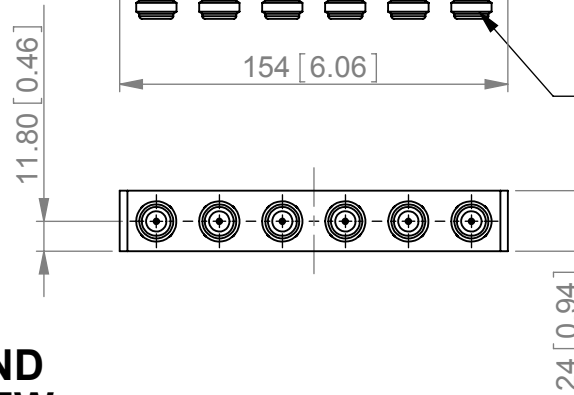
KITS AVAILABLE:	N/A
See Separate Data Sheets	

TOP VIEW



ISOMETRIC VIEW

END VIEW



GA: 224-2 Issued: 24/3/09  
DIMENSIONS: mm [inches]

HC6-1080-01/224

European Antennas Ltd. has a policy of continuous development and therefore stress that the data contained on this sheet should be used for guidance only.

European Antennas Ltd is part of Cobham Defence Electronic Systems



Certificate No 9263

European Antennas Ltd  
Lambda House, Cheveley  
Newmarket, Suffolk, CB8 9RG, UK  
Tel: +44 (0)1638 731888  
sales@european-antennas.co.uk  
www.european-antennas.co.uk