



# EUROPEAN ANTENNAS

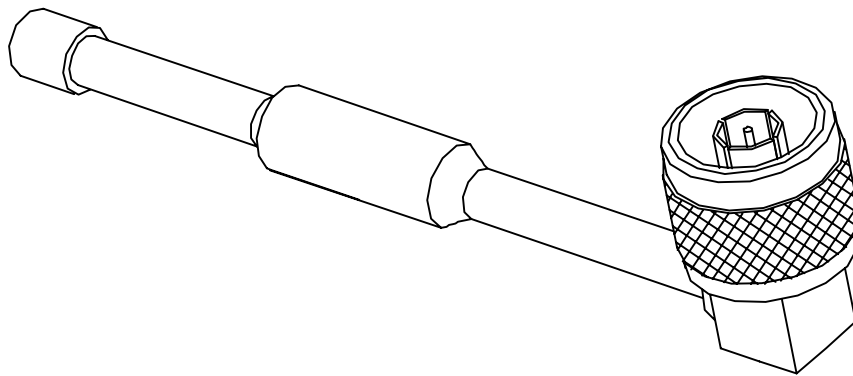


## SLIM DIPOLE ANTENNA

MODEL: SVD2-1900-NM90/297

FREQUENCY: 1.85 – 2.00 GHz	GAIN: 2 dBi
POLARISATION: Linear (Vertical)	BEAMWIDTH: 360° x 80°
CROSS POLAR: 15 – 20 dB	VSWR: 2 : 1 Max
POWER RATING: 10 W	FRONT TO BACK: N/A
TEMPERATURE: -20°C to +50°C	MASS: 60 g/2 oz
FINISH: Matt Black	WIND LOADING: N/A

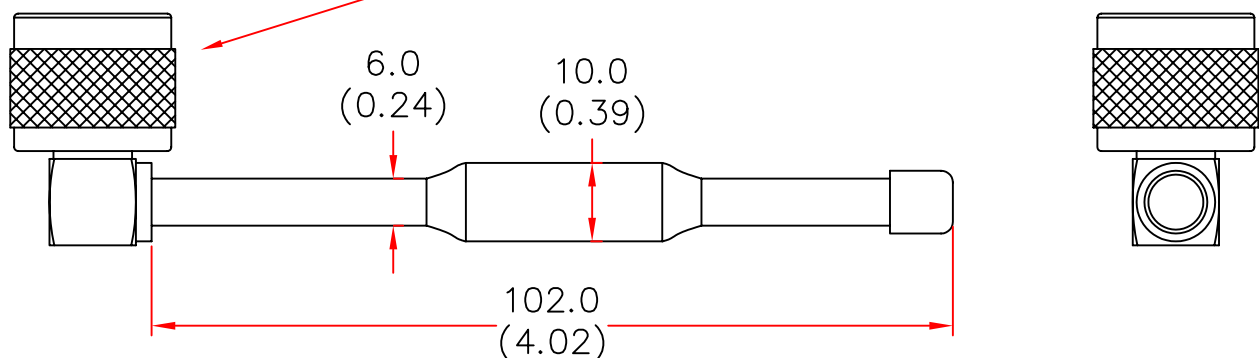
### ISOMETRIC VIEW



### SIDE VIEW

N(M) CONNECTOR

### END VIEW



DIMENSIONS: mm (inches)

GA 297-1 Issued 031298

EUROPEAN ANTENNAS LTD.

TEL: +44 (0)1638 731888

LAMBDA HOUSE, CHEVELEY,  
NEWMARKET, SUFFOLK, CB8 9RG,  
UNITED KINGDOM.

FAX: +44 (0)1638 731999

European Antennas Ltd. has a policy of continuous development and therefore stress that the data contained on this sheet should be used for guidance only.