



EUROPEAN ANTENNAS

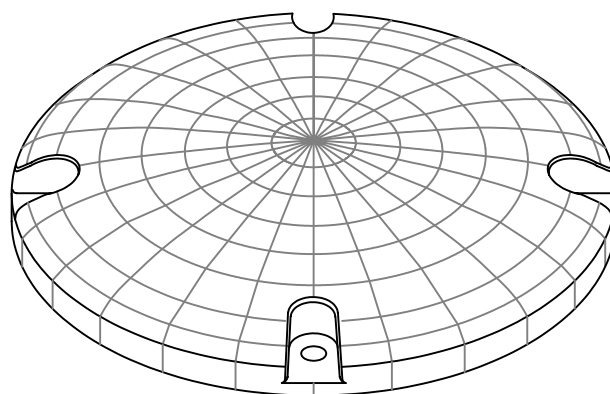


LOW PROFILE ANTENNA

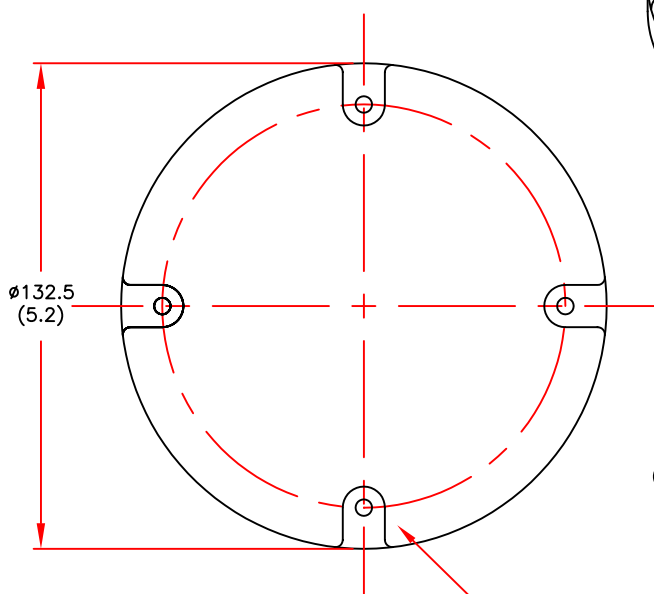
MODEL: LPA7-1550R-502/242

FREQUENCY: 1.52 - 1.60 GHz	GAIN: 7 dBiC
POLARISATION: Circular	BEAMWIDTH: 80° x 80° APPROX
AXIAL RATIO: 2 dB	VSWR: 1.5 : 1
POWER RATING: 50 W	FRONT TO BACK: > 30 dB
TEMPERATURE: -20°C to +50°C	MASS: 250 g/9 oz
RADOME: Rigid Moulded Polymer	WIND LOADING: 2.2Kg/4.9lbs @100mph

ISOMETRIC VIEW

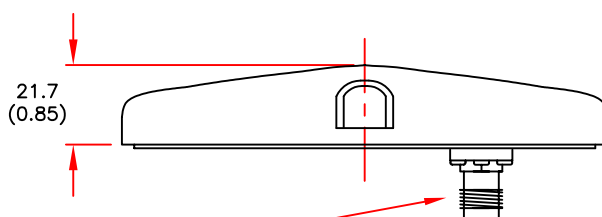


PLAN VIEW



MOUNTING VIA 4 X $\phi 4.5$ (0.18")
HOLES EQUALLY SPACED ON A
110mm (4.33") PCD

SIDE VIEW



TNC(F) CONNECTOR

DIMENSIONS: in mm (inches)

GA 242-1 Issued 261196

EUROPEAN ANTENNAS LTD.

LAMBDA HOUSE, CHEVELEY,
NEWMARKET, SUFFOLK, CB8 9RG,
UNITED KINGDOM

TEL: +44 (0)1638 731888

FAX: +44 (0)1638 731999

European Antennas Ltd has a policy of continuous development and therefore stress that the data contained on this sheet should be used for guidance only.