



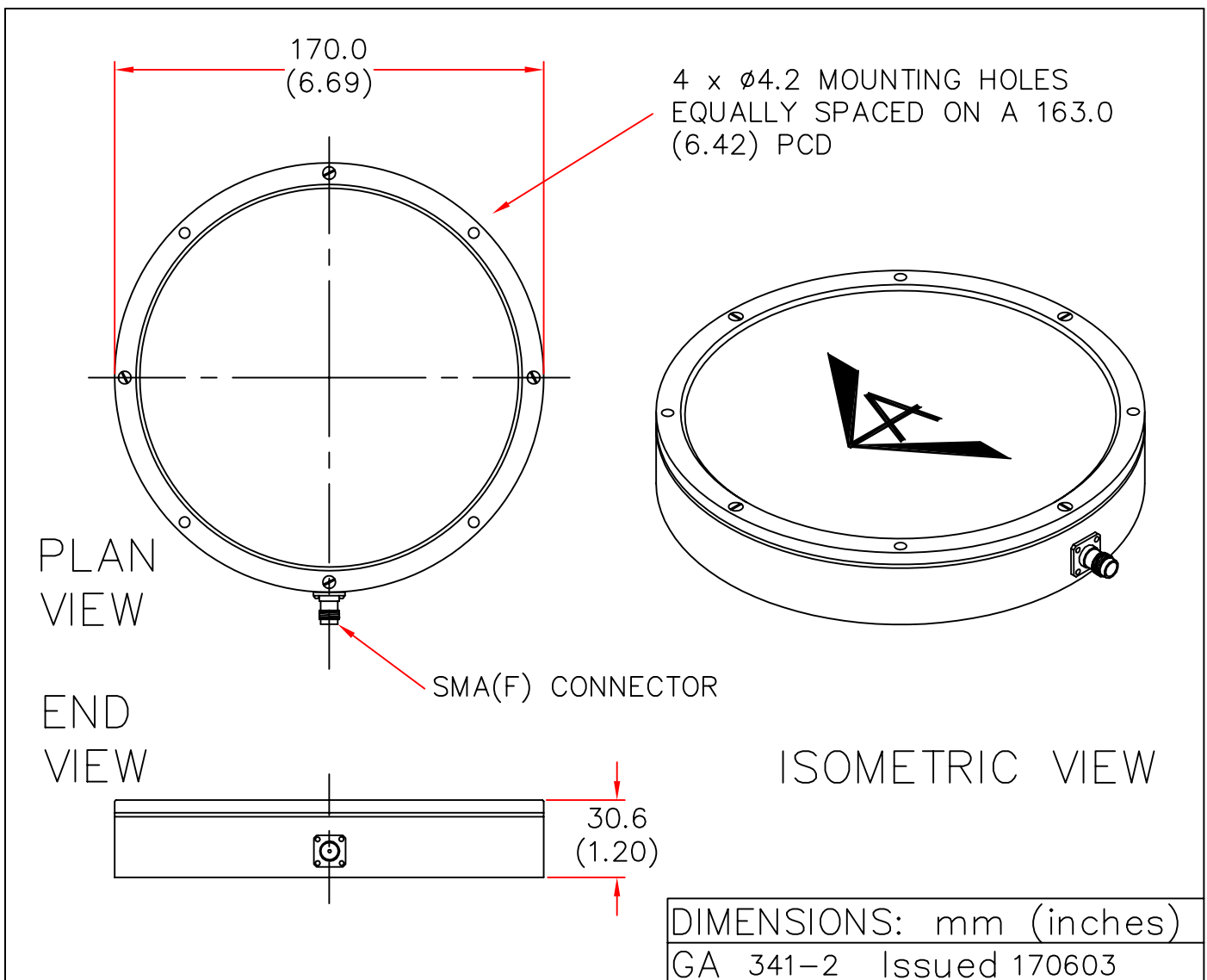
# EUROPEAN ANTENNAS



## LOW PROFILE ANTENNA

MODEL: LPA7X-16R/341

FREQUENCY: 1.52 – 1.66 GHz	GAIN: 8 dBiC Typical
POLARISATION: R.H. Circular	BEAMWIDTH: 65° (Az.) x 70° (El.) Approx.
AXIAL RATIO: 3 dB Typical	VSWR: 1.5 : 1
POWER RATING: 15 W	FRONT TO BACK: 20 dB Minimum
TEMPERATURE: -20°C to +50°C	MASS: 0.4 Kg/0.88 lbs
FINISH: Matt Black / Alocrom 1200	WIND LOADING: 3.7Kg/8.1lbs @100mph



EUROPEAN ANTENNAS LTD.

TEL: +44 (0)1638 731888

LAMBDA HOUSE, CHEVELEY,  
NEWMARKET, SUFFOLK, CB8 9RG,  
UNITED KINGDOM.

FAX: +44 (0)1638 731999

European Antennas Ltd. has a policy of continuous development and therefore stress that the data contained on this sheet should be used for guidance only.