



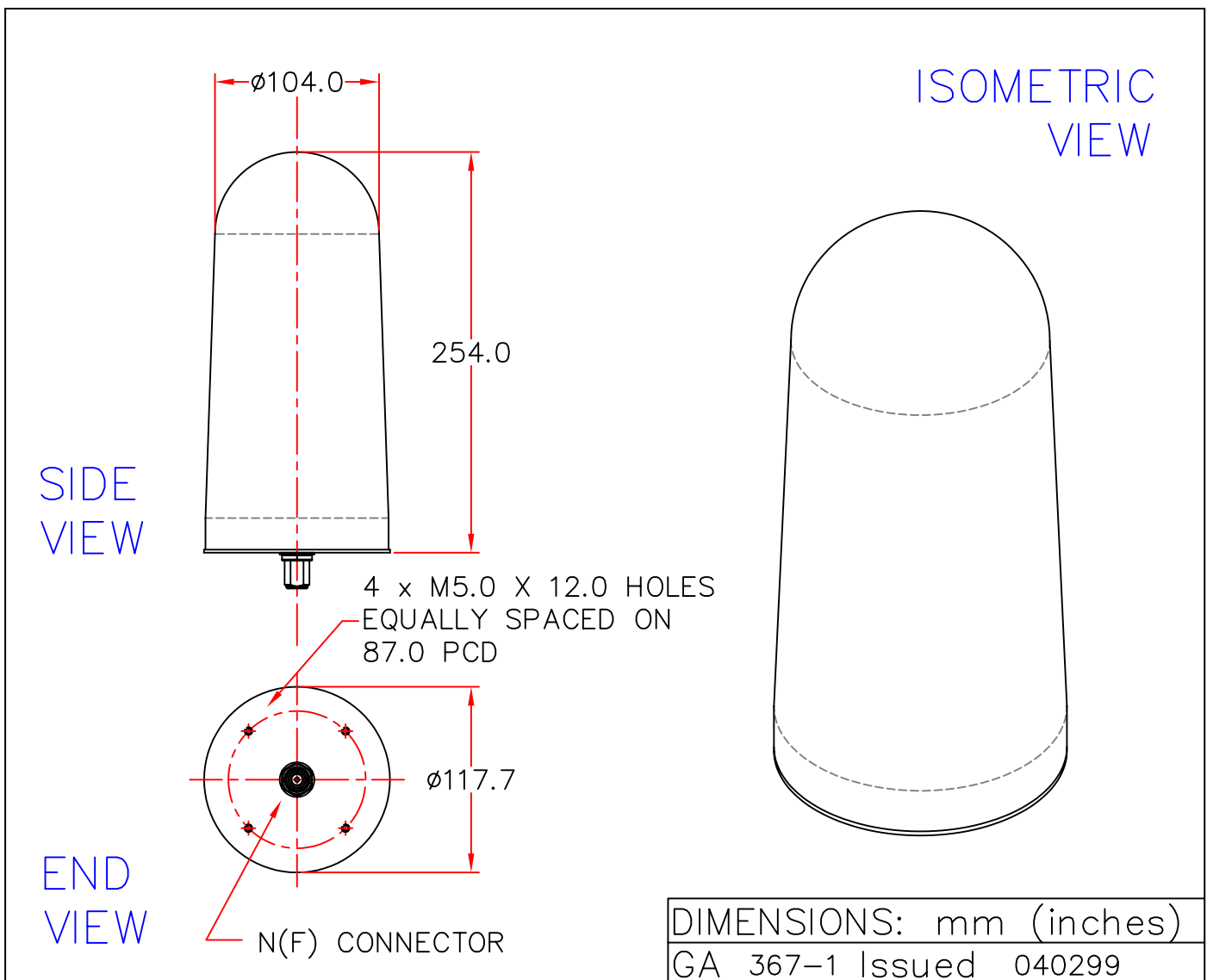
EUROPEAN ANTENNAS



CIRCULAR POLARISED OMNI ANTENNA

MODEL: RC05-2450-502/367

FREQUENCY: 2.40 - 2.55 GHz	GAIN: 5 dBiC
POLARISATION: R.H. Circular	BEAMWIDTH: 360° x 40°
AXIAL RATIO: 3 dBi	VSWR: 1.5 : 1
POWER RATING: 10 W	FRONT TO BACK: N/A
TEMPERATURE: -20°C to +50°C	MASS: 1.14 Kg/2.51 lbs
RADOME: WHITE ABS	WIND LOADING: 4.3Kg/9.4lbs @100mph



EUROPEAN ANTENNAS LTD.

TEL: +44 (0)1638 731888

LAMBDA HOUSE, CHEVELEY,
NEWMARKET, SUFFOLK, CB8 9RG,
UNITED KINGDOM.

FAX: +44 (0)1638 731999

European Antennas Ltd. has a policy of continuous development and therefore stress that the data contained on this sheet should be used for guidance only.