



EUROPEAN ANTENNAS

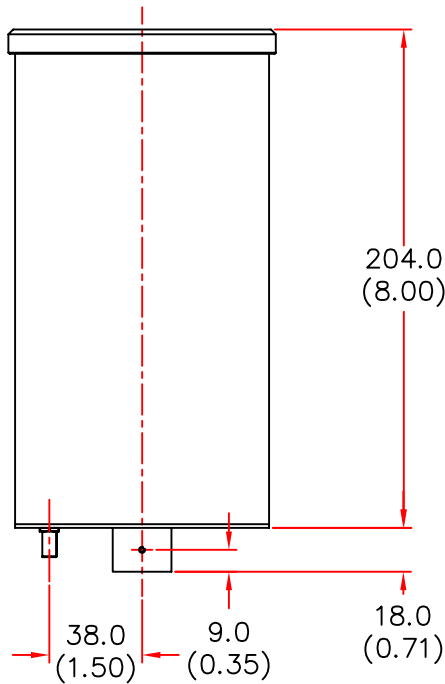


LIGHT WEIGHT CIRCULAR POLARISED OMNI ANTENNA

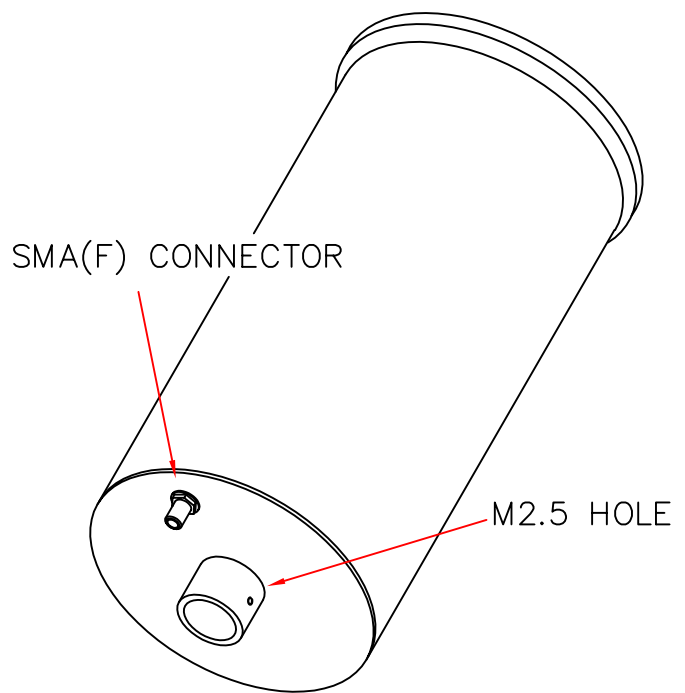
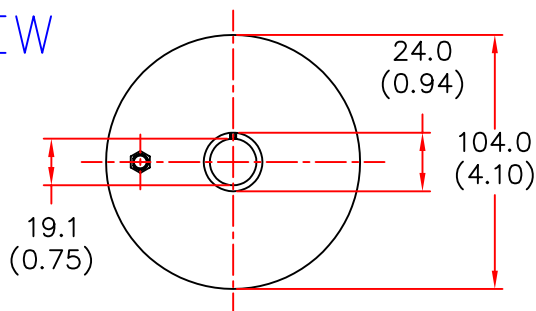
MODEL: MPO5-24R/244

FREQUENCY: 2.30 – 2.50 GHz	GAIN: 5 dBiC
POLARISATION: R.H. Circular	BEAMWIDTH: 360° x 40°
AXIAL RATIO: 2 dB Typ.	VSWR: 1.5 : 1
POWER RATING: 5 W	FRONT TO BACK: N/A
TEMPERATURE: -20°C to +50°C	MASS: 0.25 Kg/0.55 lbs
RADOME: Glass Fibre/Gloss White	WIND LOADING: 3.4Kg/7.6lbs @100mph

SIDE VIEW



END VIEW



ISOMETRIC VIEW

DIMENSIONS: mm (inches)

GA 244 - 2 Issued 200201

EUROPEAN ANTENNAS LTD.

TEL: +44 (0)1638 731888

LAMBDA HOUSE, CHEVELEY,
NEWMARKET, SUFFOLK, CB8 9RG,
UNITED KINGDOM.

FAX: +44 (0)1638 731999

European Antennas Ltd. has a policy of continuous development and therefore stress that the data contained on this sheet should be used for guidance only.