



EUROPEAN ANTENNAS

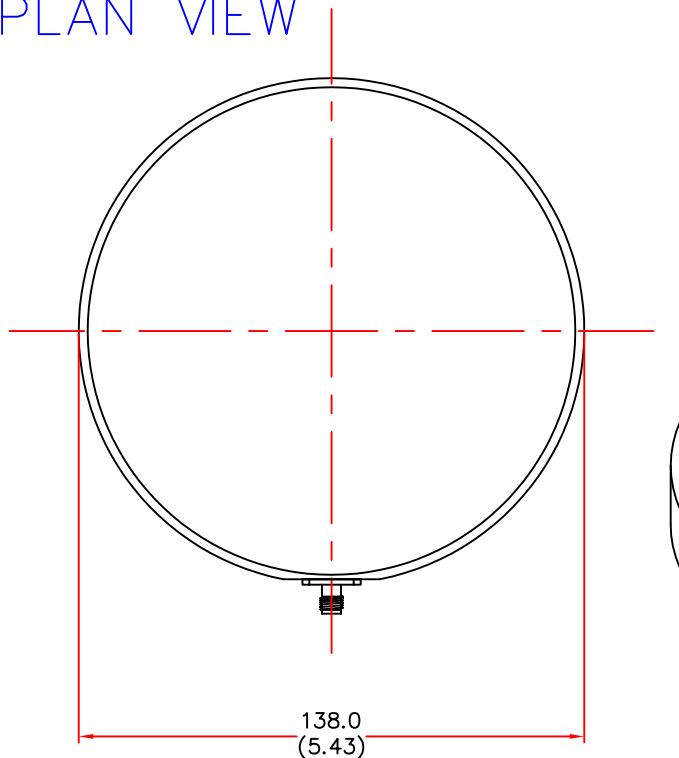


LOW PROFILE ANTENNA

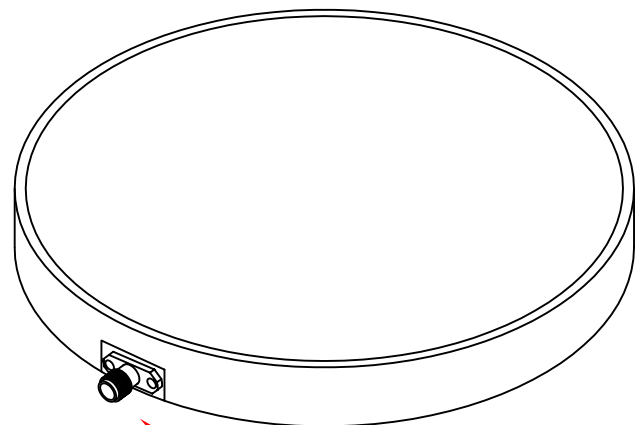
MODEL: LPA7-14V/276

FREQUENCY: 1.42 – 1.52 GHz	GAIN: 7 dBi
POLARISATION: Linear (Vertical)	BEAMWIDTH: 90° x 70°
CROSS POLAR: ≥ 20 dB	VSWR: 1.5 : 1 Typ 2:1 Max
POWER RATING: 10 W	FRONT TO BACK: 20 dB
TEMPERATURE: -20°C to +50°C	MASS: 400 g
RADOME: Glass Fibre/Matt Black	WIND LOADING: 2.4Kg/5.3lbs @100mph

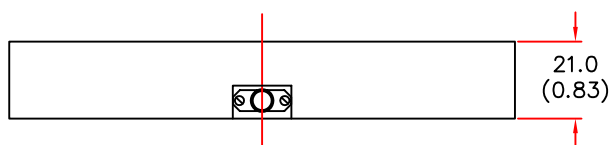
PLAN VIEW



ISOMETRIC VIEW



SMA(F) CONNECTOR



SIDE VIEW

DIMENSIONS: mm (inches)

GA 276-1 Issued 281196

EUROPEAN ANTENNAS LTD.

TEL: +44 (0)1638 731888

LAMBDA HOUSE, CHEVELEY,
NEWMARKET, SUFFOLK, CB8 9RG,
UNITED KINGDOM.

FAX: +44 (0)1638 731999

European Antennas Ltd. has a policy of continuous development and therefore stress that the data contained on this sheet should be used for guidance only.