



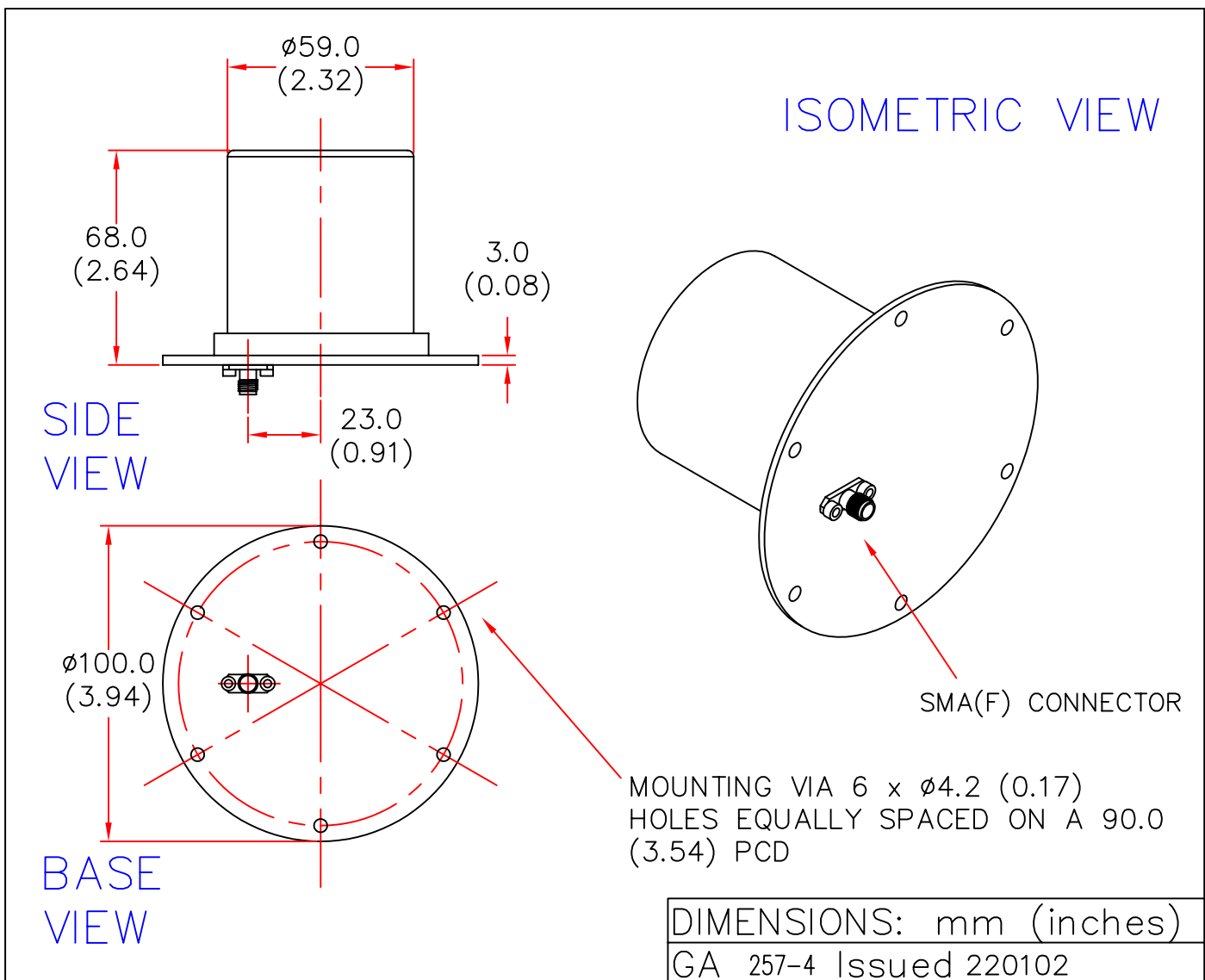
EUROPEAN ANTENNAS



HEMI OMNI ANTENNA

MODEL: HOA2-2250R-N2/257

FREQUENCY: 2.03 – 2.29 GHz	GAIN: 2 dBiC
POLARISATION: R.H. Circular	BEAMWIDTH: 160° x 160° Approx.
AXIAL RATIO: 3 dB Typical	VSWR: 1.5 : 1
POWER RATING: 100 mW	FRONT TO BACK: 15 dB
TEMPERATURE: -55°C to +85°C	MASS: T.B.A.
RADOME: White PTFE	WIND LOADING: 0.6Kg/1.4lbs @100mph



EUROPEAN ANTENNAS LTD.

TEL: +44 (0)1638 731888

LAMBDA HOUSE, CHEVELEY,
NEWMARKET, SUFFOLK, CB8 9RG,
UNITED KINGDOM.

FAX: +44 (0)1638 731999

European Antennas Ltd. has a policy of continuous development and therefore stress that the data contained on this sheet should be used for guidance only.