



EUROPEAN ANTENNAS

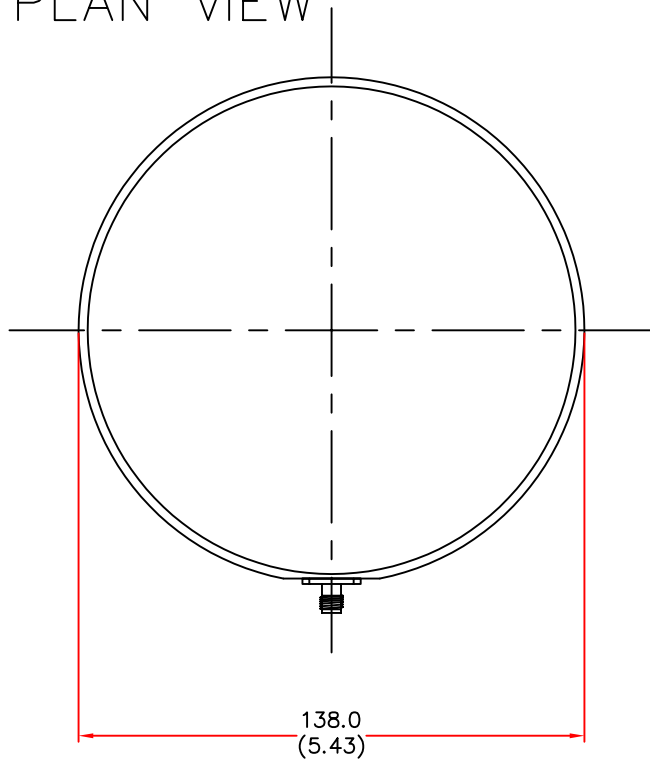


LOW PROFILE ANTENNA

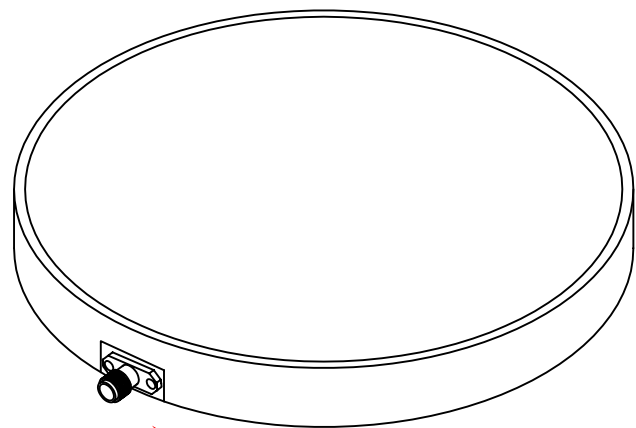
MODEL: LPA7-15R/248

FREQUENCY: 1.45 – 1.60 GHz	GAIN: 7 dBi
POLARISATION: R.H. Circular	BEAMWIDTH: 80° x 80°
AXIAL RATIO: 2 dB	VSWR: 1.5 : 1
POWER RATING: 10 W	FRONT TO BACK: 20 dB
TEMPERATURE: -20°C to +50°C	MASS: 200g / 7.0 oz
RADOME: Glass Fibre/Gloss White	WIND LOADING: 2.4Kg/5.3lbs @100mph

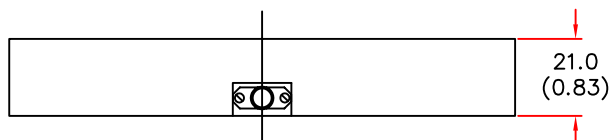
PLAN VIEW



ISOMETRIC VIEW



SMA(F) CONNECTOR



SIDE VIEW

DIMENSIONS: mm (inches)

GA 248-1 Issued 041296

EUROPEAN ANTENNAS LTD.

TEL: +44 (0)1638 731888

LAMBDA HOUSE, CHEVELEY,
NEWMARKET, SUFFOLK, CB8 9RG,
UNITED KINGDOM.

FAX: +44 (0)1638 731999

European Antennas Ltd. has a policy of continuous development and therefore stress that the data contained on this sheet should be used for guidance only.