



EUROPEAN ANTENNAS

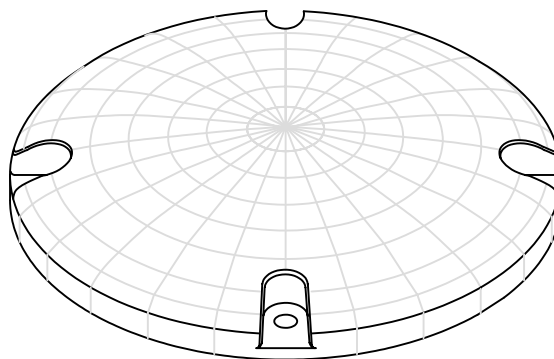


LOW PROFILE ANTENNA

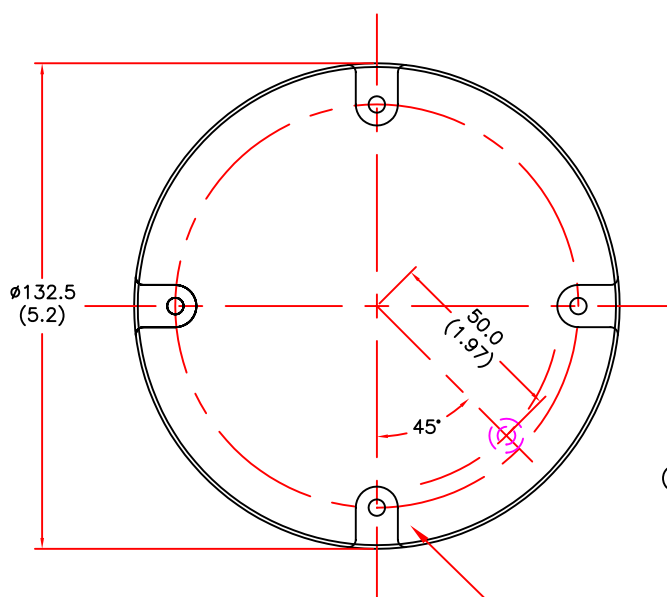
MODEL: LPA7-1394V/285

FREQUENCY: 1.36-1.44 GHz	GAIN: 8 dBi
POLARISATION: Linear (Vertical)	BEAMWIDTH: 86°(Az) x 72°(El)
CROSS POLAR: 18 dB	VSWR: 1.5:1
POWER RATING: 5 W	FRONT TO BACK: 14 dB
TEMPERATURE: -20°C to +50°C	MASS: 250 g/9 oz
RADOME: Rigid Moulded Polymer	WIND LOADING: 2.2Kg/4.9lbs @100mph

ISOMETRIC VIEW

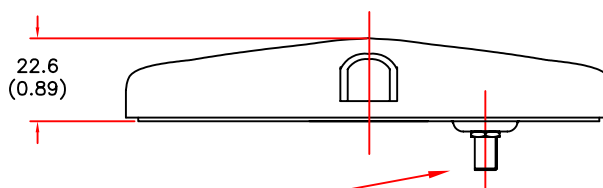


PLAN VIEW



MOUNTING VIA 4 X $\phi 4.5$ (0.18")
HOLES EQUALLY SPACED ON A
110mm (4.33") PCD

SIDE VIEW



SMA(F) CONNECTOR

DIMENSIONS: in mm (inches)
GA:285-1 Issued:170197

TEL: +44 (0)1638 731888

EUROPEAN ANTENNAS LTD.
LAMBDA HOUSE, CHEVELEY,
NEWMARKET, SUFFOLK, CB8 9RG,

FAX: +44 (0)1638 731999

European Antennas Ltd has a policy of continuous development and therefore stress that the data contained on this sheet should be used for guidance only.