

# FPA14-13R/182



## Flat Panel Antenna

The most important thing we build is trust

Designed for Commercial Applications

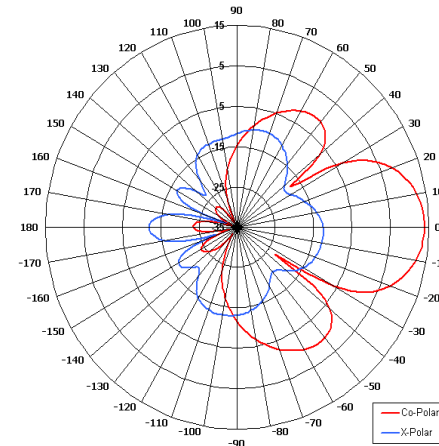
Suitable for Multiple Applications

Pattern - Directional

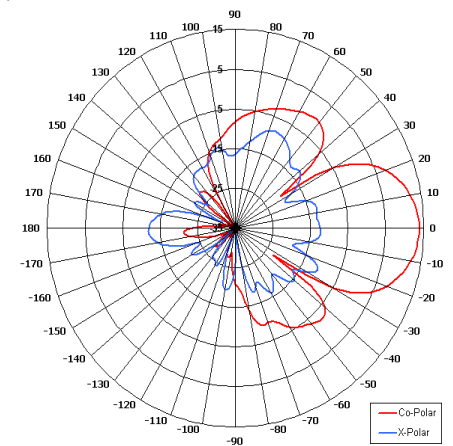
Right Hand Circular Polarised

Rugged

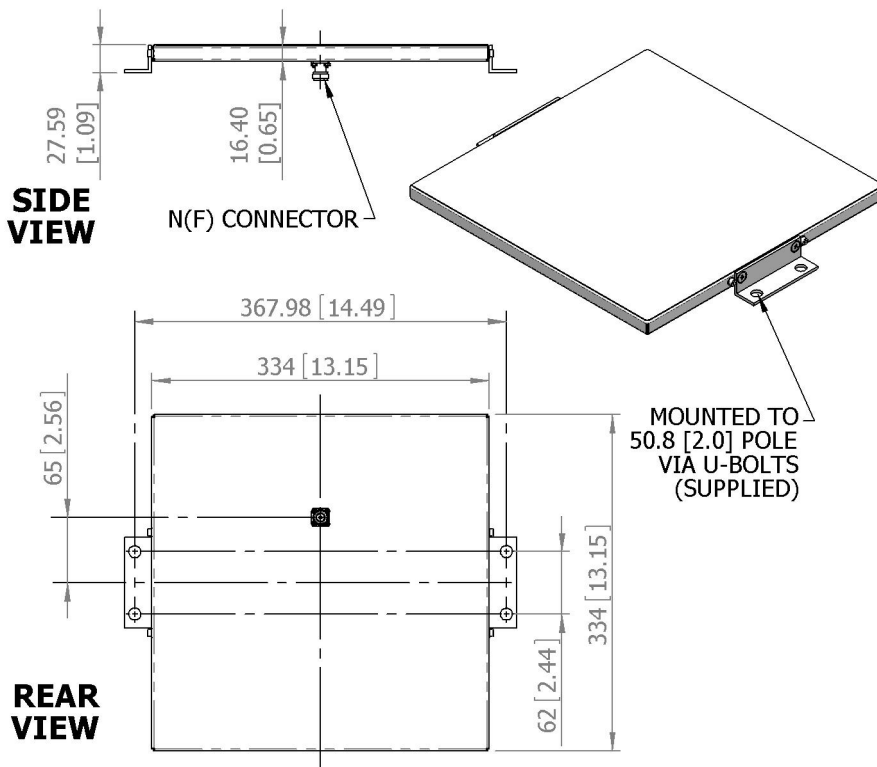
NATO Stock Number: 5985998325729



Azimuth Pattern



Elevation Pattern



**GA: 0182**

### ELECTRICAL

Frequency	1.24 - 1.35 GHz
Gain	14 dBiC Nom
Polarisation	Right Hand Circular
Beamwidth	40° (Az) x 40° (El) Approx
Axial Ratio	3 dB Typ
VSWR	1.5:1
Power Rating	10 W
Front to Back	30 dB

### MECHANICAL

Standard Finish	Gloss White
Mass	1.2 Kg (2.64 lbs)
Temperature	-20° to +50°C
Wind Loading	25 Kg (55 lbs) @ 100mph

### MOUNTING OPTIONS

Kits Available	N/A
See separate data sheets	

### ADDITIONAL NOTES

Issued 041110

European Antennas Limited trading as Cobham Antenna Systems, Microwave Antennas

European Antennas Limited has a policy of continuous development and stress that the information provided is a guide only and does not constitute an offer or contract or part thereof. Whilst every effort is made to ensure the accuracy of the information contained in this brochure, no responsibility can be accepted for any errors or omissions.

The copyright of antenna designs and images is copyright protected and owned by European Antennas Limited.  
©European Antennas Limited

For further information please contact:

Cobham Antenna Systems, Microwave Antennas

Lambda House, Cheveley,

Newmarket, Suffolk CB8 9RG, UK.

Tel +44 (0)1638 732 177

Fax +44 (0) 1638 731999

Email [newmarket.sales@cobham.com](mailto:newmarket.sales@cobham.com)