



EUROPEAN ANTENNAS

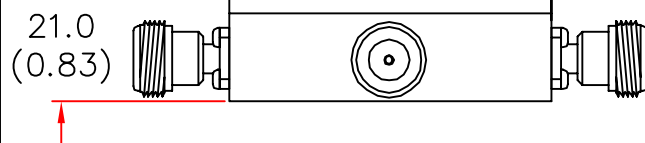
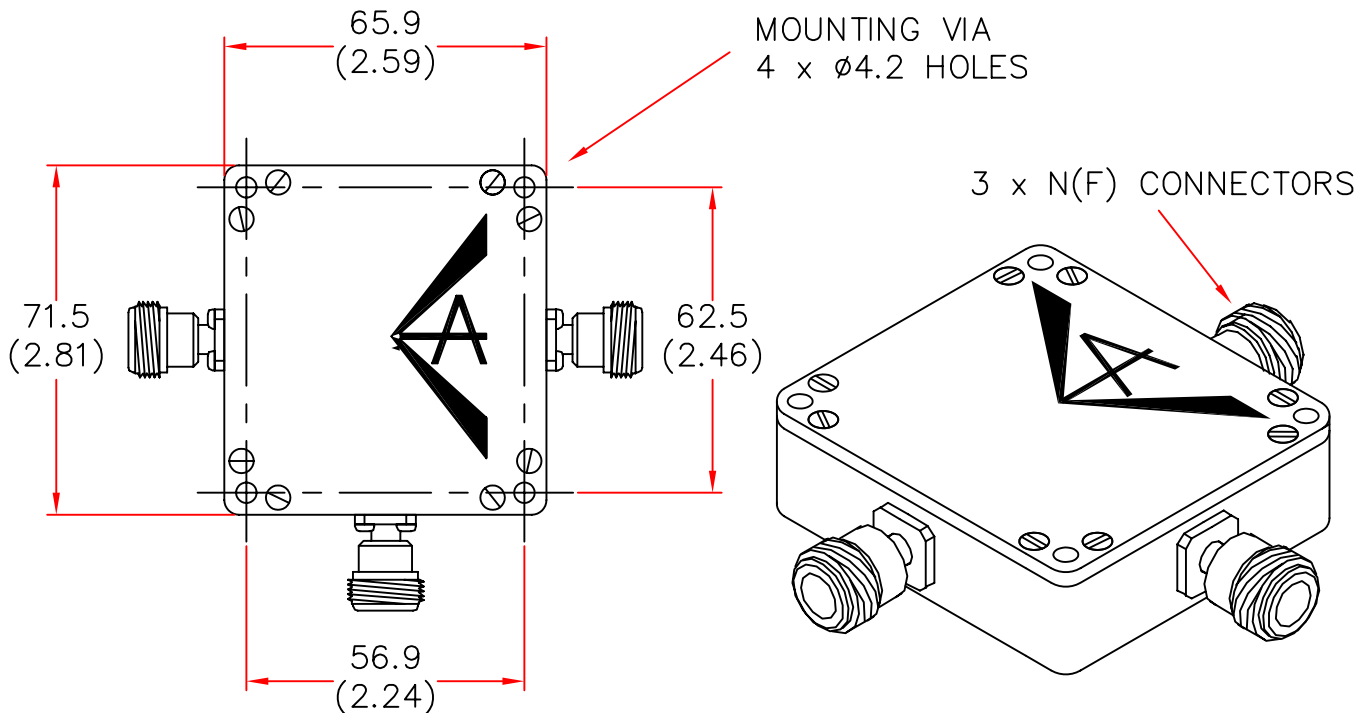


POWER DIVIDER

MODEL: 2PDE-26-N/174

FREQUENCY: 2.50 - 2.70 GHz	POWER RATING (Matched Outputs): 20 W
POWER SPLIT: Equal	VSWR: 1.2 : 1 All Parts
INSERTION LOSS (Above Split Loss): 1 dB Max	MASS: 250 g/8.8 oz
TEMPERATURE: -20°C to +50°C	HOUSING: Machined Aluminium
CONNECTORS: 3 x N(F)	FINISH: Alocrom 1200, O-Ring Sealed

PLAN VIEW



SIDE VIEW

ISOMETRIC VIEW

DIMENSIONS: mm (inches)
GA 174 ISSUE 101296

EUROPEAN ANTENNAS LTD.

TEL: +44 (0)1638 731888

LAMBDA HOUSE, CHEVELEY,
NEWMARKET, SUFFOLK, CB8 9RG,
UNITED KINGDOM.

FAX: +44 (0)1638 731999

European Antennas Ltd. has a policy of continuous development and therefore stress that the data contained on this sheet should be used for guidance only.