



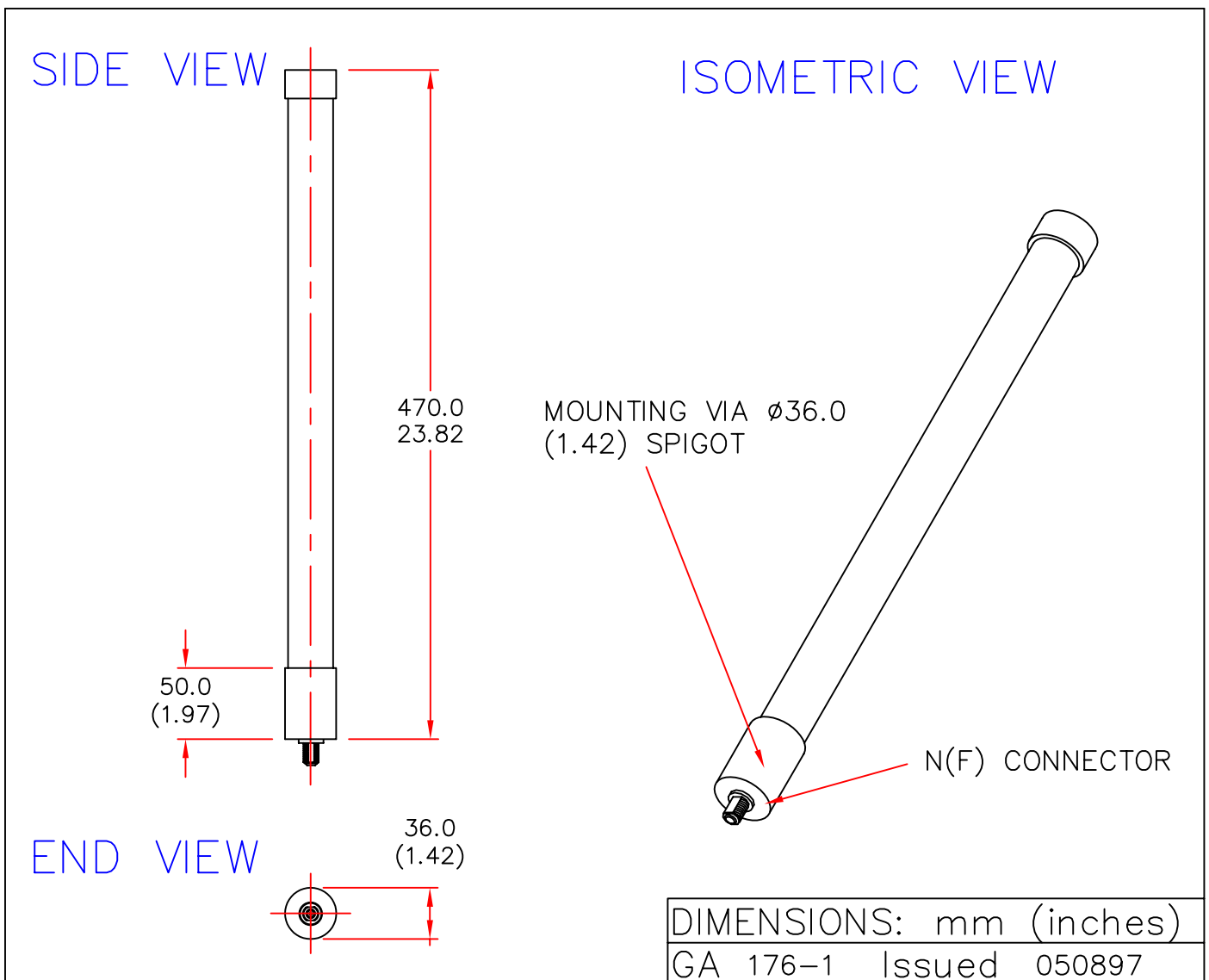
EUROPEAN ANTENNAS



VERTICALLY POLARISED OMNI ANTENNA

MODEL: VOA4-1700/176

FREQUENCY: 1.65 – 1.75 GHz	GAIN: 4 dBi
POLARISATION: Vertical	BEAMWIDTH: 360° x 40°
CROSS POLAR: 20 dB	VSWR: 1.5 : 1
POWER RATING: 25 W	FRONT TO BACK: N/A
TEMPERATURE: -20°C to +50°C	MASS: 0.75 Kg/1.65 lbs
RADOME: Glass fibre/Gloss White	WIND LOADING: 2.5Kg/5.4lbs @100mph



EUROPEAN ANTENNAS LTD.

TEL: +44 (0)1638 731888

LAMBDA HOUSE, CHEVELEY,
NEWMARKET, SUFFOLK, CB8 9RG,
UNITED KINGDOM.

FAX: +44 (0)1638 731999

European Antennas Ltd. has a policy of continuous development and therefore stress that the data contained on this sheet should be used for guidance only.