



EUROPEAN ANTENNAS

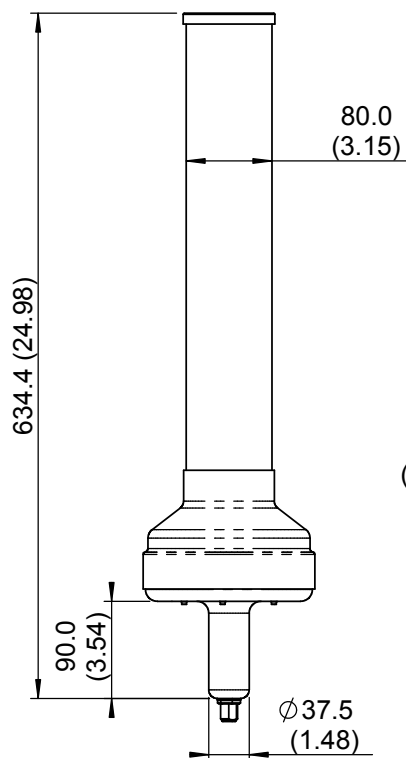
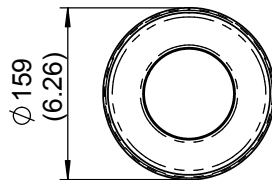
Excellence through design
Creative in concept

SHROUDED HELIX ANTENNA

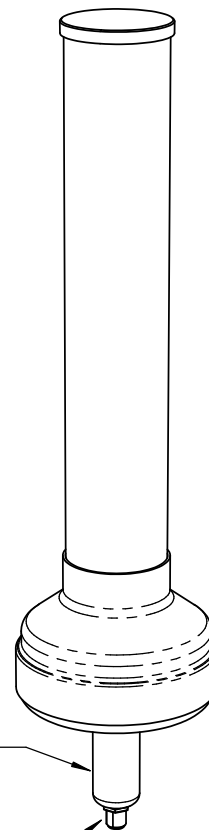
MODEL: AMHS17-25R/023

FREQUENCY:	2.20 - 2.70 GHz	GAIN:	14 - 17 dBiC (Across Band)
POLARISATION:	R.H. Circular	BEAMWIDTH:	30° - 40° (Across Band)
AXIAL RATIO:	1 - 2 dB	VSWR:	1.5 : 1
POWER RATING:	25 W	FRONT TO BACK:	15 - 20 dB
TEMPERATURE:	-20° to +50°C	MASS:	1.5 Kg / 3.3 lbs
FINISH:	Gloss White	WIND LOADING:	5.8 Kg / 12.8 lbs @ 100 mph

TOP VIEW



SIDE VIEW



MOUNTING VIA SPIGOT
(MOUNTING KIT AVAILABLE)

N(F) CONNECTOR

PICTORIAL VIEW

DIMENSIONS: mm (inches)

GA: 023 - 4 Issued: 100804

EUROPEAN ANTENNAS LTD.

LAMBDA HOUSE, CHEVELEY
NEWMARKET, SUFFOLK, CB8 9RG,
UNITED KINGDOM

Tel: +44 (0)1638 731888
Fax: +44 (0)1638 731999

E-Mail: sales@european-antennas.co.uk
Website: www.european-antennas.co.uk