



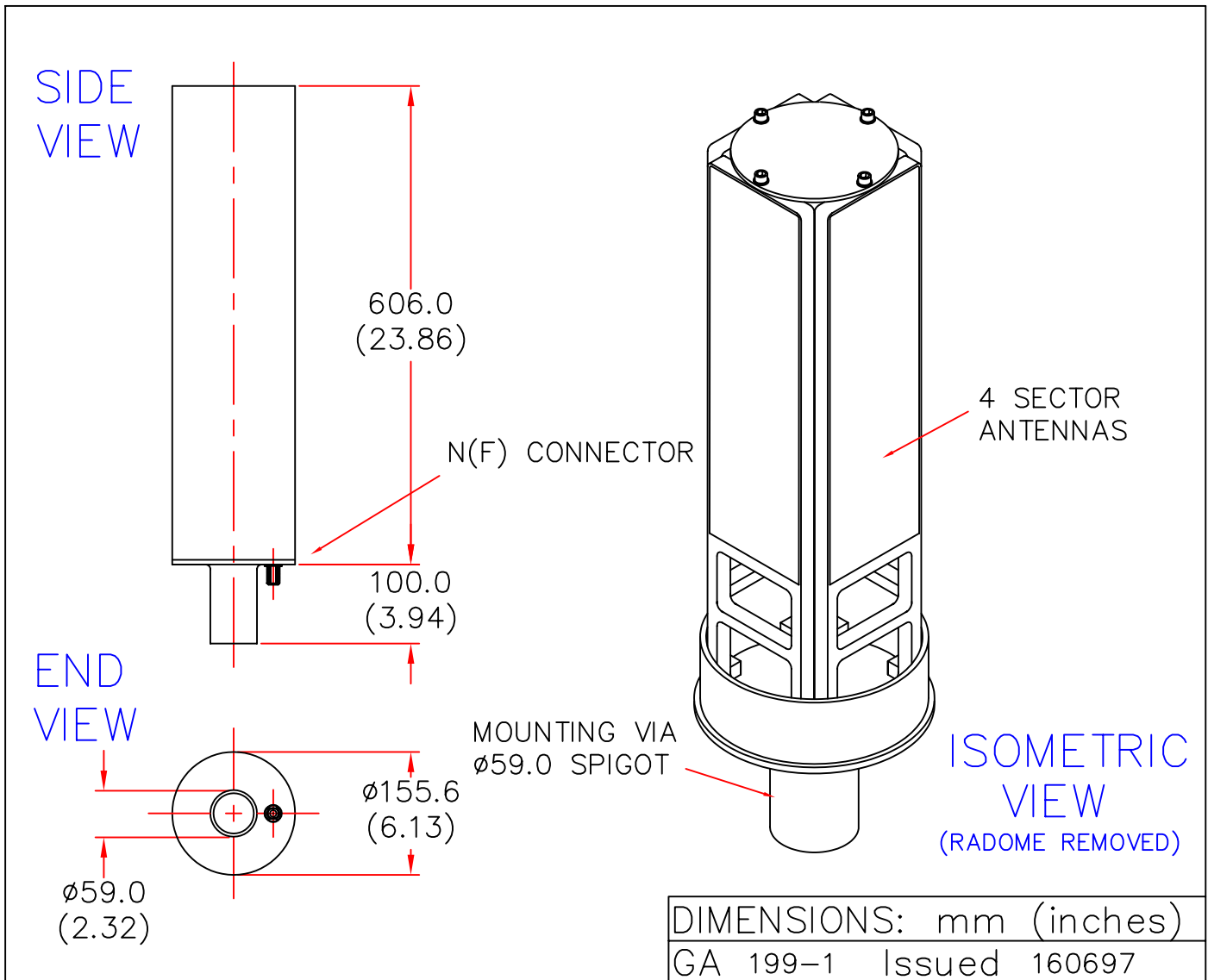
EUROPEAN ANTENNAS



MULTI-SECTOR ANTENNA

MODEL: MSA4-24R/199

FREQUENCY: 2.30 - 2.50 GHz	GAIN: 13 dBiC (each sectors)
POLARISATION: R.H. Circular	BEAMWIDTH: 90°x20° each sector
AXIAL RATIO: 3 dB	VSWR: 1.5 : 1
POWER RATING: 10 W per Antenna	FRONT TO BACK: 20dB
TEMPERATURE: -20°C to +50°C	MASS: 4 Kg/8.8 lbs
RADOME: Glass Fibre/Gloss White	WIND LOADING: 16.3Kg/35.8lbs @100mph



EUROPEAN ANTENNAS LTD.

TEL: +44 (0)1638 731888

LAMBDA HOUSE, CHEVELEY,
NEWMARKET, SUFFOLK, CB8 9RG,
UNITED KINGDOM.

FAX: +44 (0)1638 731999

European Antennas Ltd. has a policy of continuous development and therefore stress that the data contained on this sheet should be used for guidance only.