



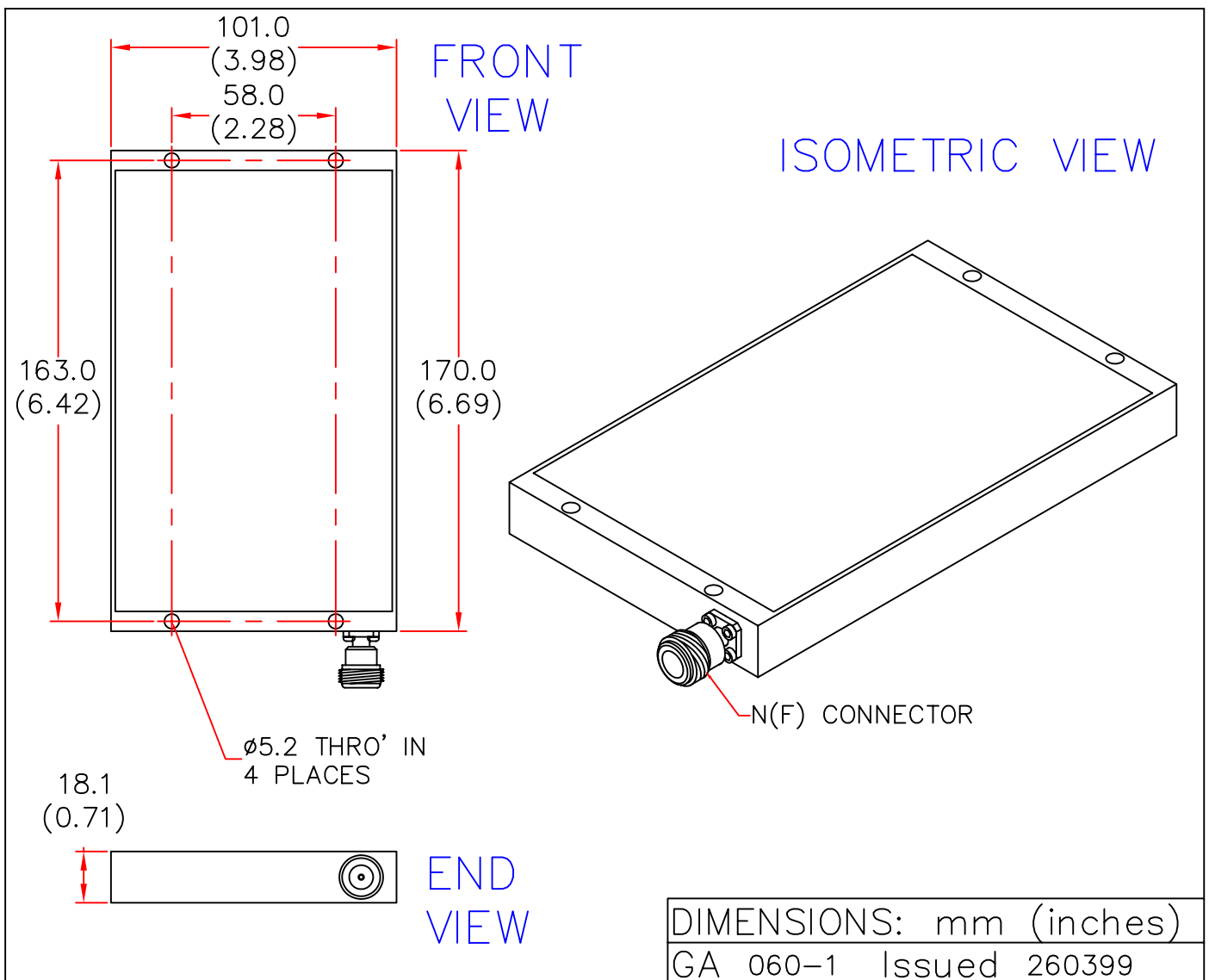
# EUROPEAN ANTENNAS



## SECTOR ANTENNA

MODEL: SA10-80-24R/060

FREQUENCY: 2.35 - 2.55 GHz	GAIN: 10 dBiC
POLARISATION: R.H.Circular	BEAMWIDTH: 80° x 40°
AXIAL RATIO: 3 - 6 dB Typical	VSWR: 1.5 : 1
POWER RATING: 20W	FRONT TO BACK: 20 dB
TEMPERATURE: -20°C to +50°C	MASS: 1 Kg/2.2 lbs
RADOME: Glass Fibre/Gloss White	WIND LOADING: 2.78Kg/6.13lbs @ 100mph



EUROPEAN ANTENNAS LTD.

TEL: +44 (0)1638 731888

LAMBDA HOUSE, CHEVELEY,  
NEWMARKET, SUFFOLK, CB8 9RG,  
UNITED KINGDOM.

FAX: +44 (0)1638 731999

European Antennas Ltd. has a policy of continuous development and therefore stress that the data contained on this sheet should be used for guidance only.