



EUROPEAN ANTENNAS

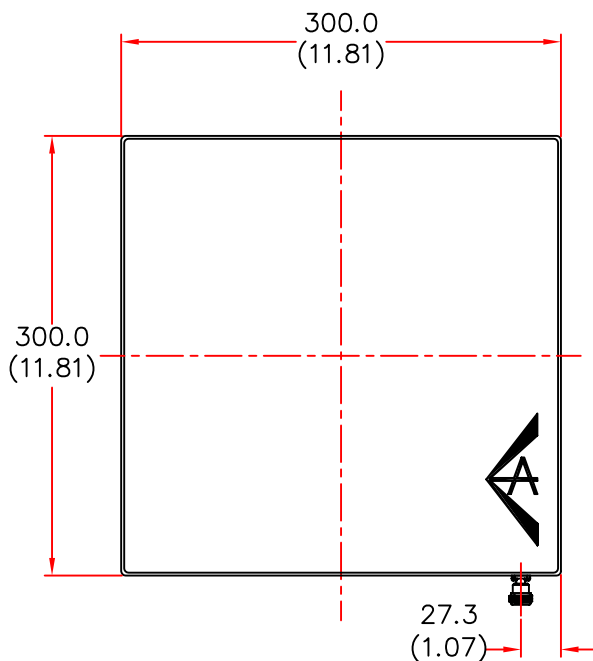


FLAT PANEL ANTENNA

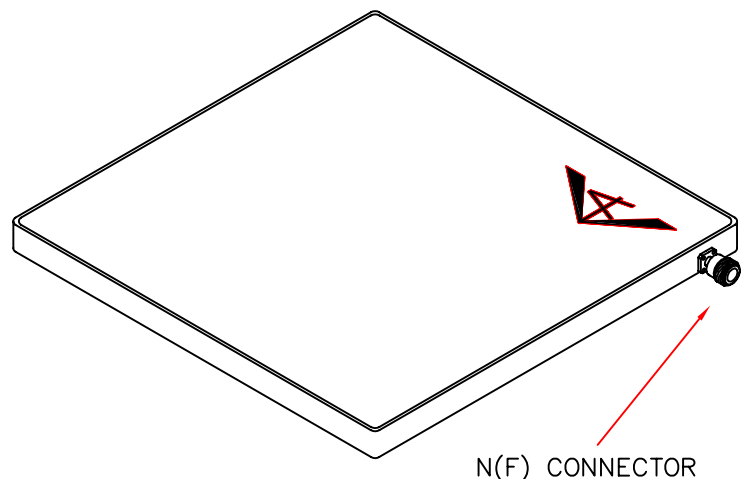
MODEL: FPA13-15R/107

FREQUENCY: 1.45 – 1.60 GHz	GAIN: 13 dBiC Nominal
POLARISATION: R.H. Circular	BEAMWIDTH: 35° x 35° Approx.
AXIAL RATIO: 5 dB Typical	VSWR: 1.5:1
POWER RATING: 10 W	FRONT TO BACK: 25 dB Minimum
TEMPERATURE: -20°C to +50°C	MASS: 1.7 Kg / 3.74 lbs
FINISH: Gloss White/Alocrom 1200	WIND LOADING: 14.6Kg/32.1lbs @100mph

PLAN VIEW



ISOMETRIC VIEW



SIDE VIEW



DIMENSIONS: mm (inches)
GA 107-2 Issued 230603

EUROPEAN ANTENNAS LTD.

TEL: +44 (0)1638 731888

LAMBDA HOUSE, CHEVELEY,
NEWMARKET, SUFFOLK, CB8 9RG,
UNITED KINGDOM.

FAX: +44 (0)1638 731999

European Antennas Ltd. has a policy of continuous development and therefore stress that the data contained on this sheet should be used for guidance only.