



EUROPEAN ANTENNAS

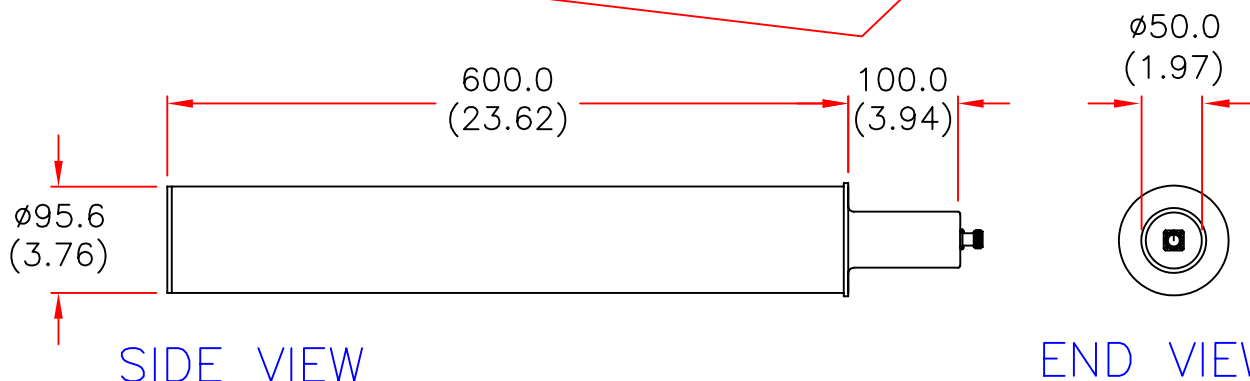
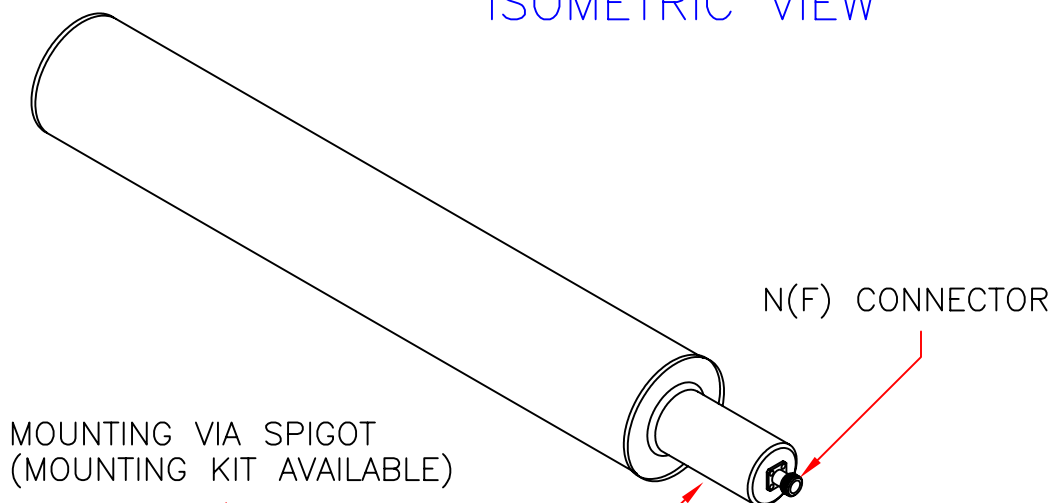


EXTENDED PERFORMANCE OMNI

MODEL: XVO10-3450/065

FREQUENCY: 3.35 - 3.55 GHz	GAIN: 9.4 dBi
POLARISATION: Linear (Vertical)	BEAMWIDTH: 360° x 10°
CROSS POLAR: 20 dB	VSWR: 1.4 : 1
POWER RATING: 50 W	DOWN TILT: 2°
TEMPERATURE: -20°C to +50°C	MASS: 2.0 Kg/4.4lbs
RADOME: Gloss White/Fibre Glass	WIND LOADING: 10.1Kg/22.2lbs @100mph

ISOMETRIC VIEW



DIMENSIONS: mm (inches)
GA 065-3 Issued 130398

EUROPEAN ANTENNAS LTD.

TEL: +44 (0)1638 731888

LAMBDA HOUSE, CHEVELEY,
NEWMARKET, SUFFOLK, CB8 9RG.
UNITED KINGDOM

FAX: +44 (0)1638 731999

European Antennas Ltd has a policy of continuous development and therefore stress that the data contained on this sheet should be used for guidance only.