



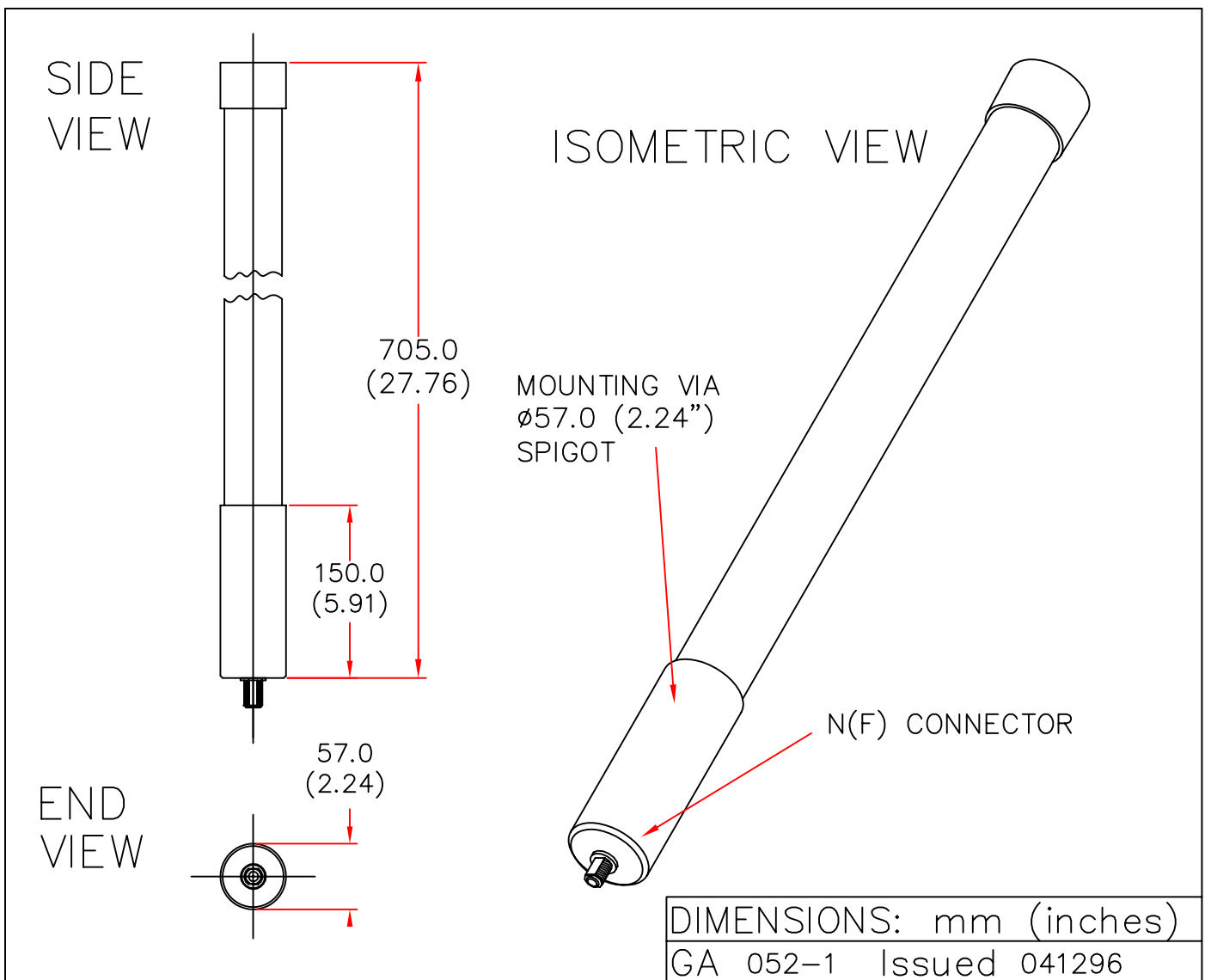
EUROPEAN ANTENNAS



VERTICALL POLARISED OMNI ANTENNA

MODEL: VOA4-918/052

FREQUENCY: 870 - 960 MHz	GAIN: 4 dBi
POLARISATION: Linear (Vertical)	BEAMWIDTH: 360° x 40°
CROSS POLAR: 20 dB	VSWR: 1.5 : 1
POWER RATING: 20 W	FRONT TO BACK: N/A
TEMPERATURE: -20°C to +50°C	MASS: 1.5 Kg/3.3lbs
RADOME: Glass Fibre/Gloss White	WIND LOADING: 6.6Kg/14.4lbs @100mph



EUROPEAN ANTENNAS LTD.

TEL: +44 (0)1638 731888

LAMBDA HOUSE, CHEVELEY,
NEWMARKET, SUFFOLK, CB8 9RG,
UNITED KINGDOM.

FAX: +44 (0)1638 731999

European Antennas Ltd. has a policy of continuous development and therefore stress that the data contained on this sheet should be used for guidance only.