



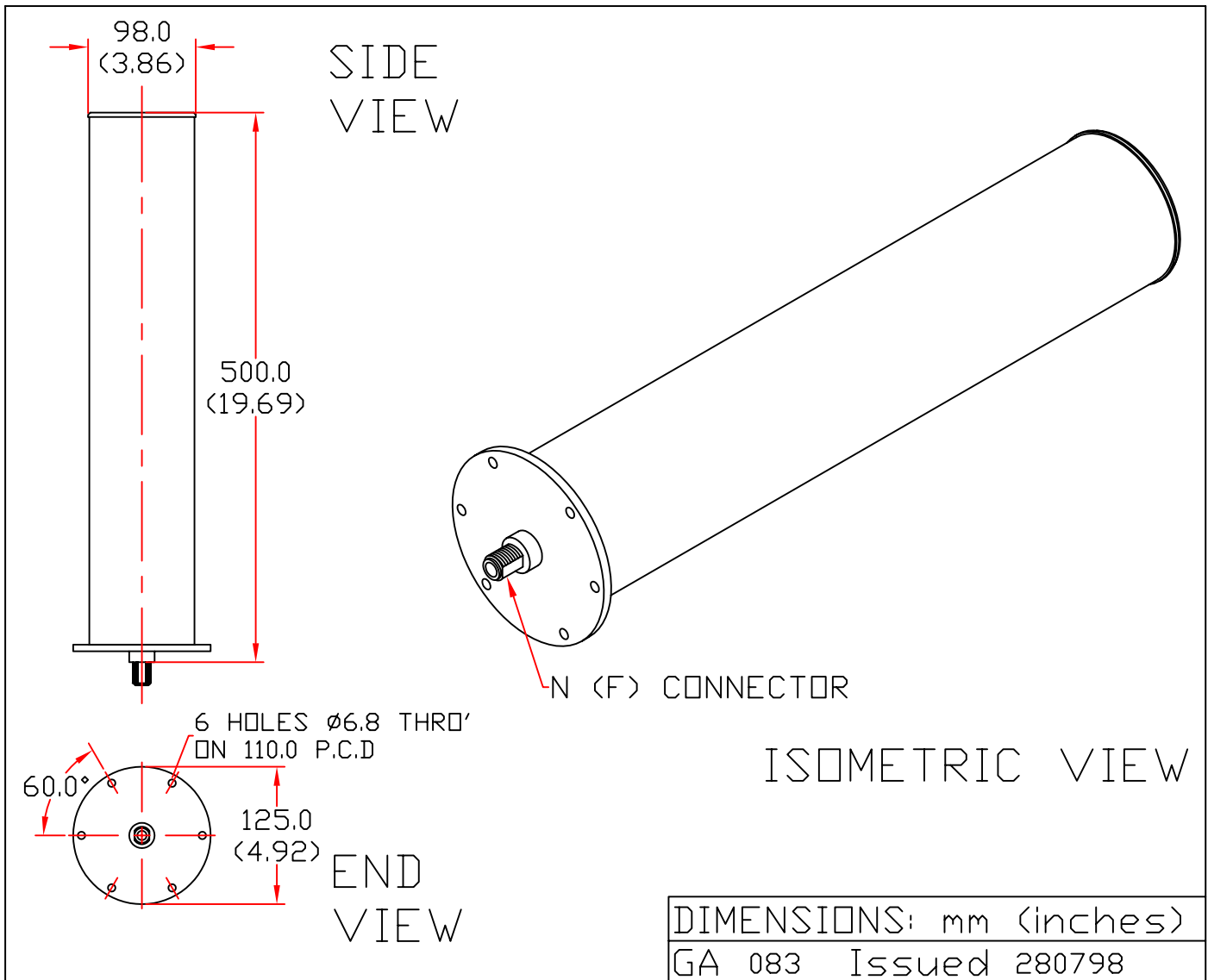
EUROPEAN ANTENNAS



EXTENDED PERFORMANCE OMNI

MODEL: XPO3V-300-600/083

FREQUENCY: 300 - 600 MHz	GAIN: 3 dBi
POLARISATION: Linear (Vertical)	BEAMWIDTH: 360° x 80°
CROSS POLAR: 20 dB Typ	VSWR: 1.5:1 Typ (2.0:1 Max)
POWER RATING: 50W	FRONT TO BACK: N/A
TEMPERATURE: -20°C to +50°C	MASS: 4 Kg/8.8lbs
RADOME: Glass Fibre Gloss White	WIND LOADING: 7.7Kg/16.9lbs @ 100mph



EUROPEAN ANTENNAS LTD.

TEL: +44 (0)1638 731888

LAMBDA HOUSE, CHEVELEY,
NEWMARKET, SUFFOLK, CB8 9RG,
UNITED KINGDOM.

FAX: +44 (0)1638 731999

European Antennas Ltd. has a policy of continuous development and therefore stress that the data contained on this sheet should be used for guidance only.