



# EUROPEAN ANTENNAS

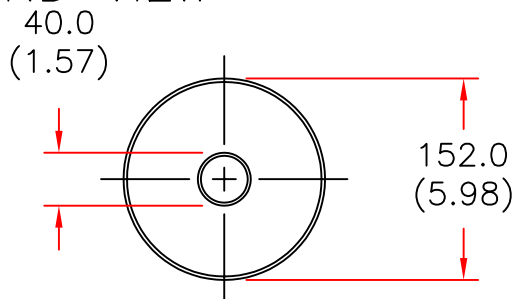


## SHROUDED HELIX ANTENNA

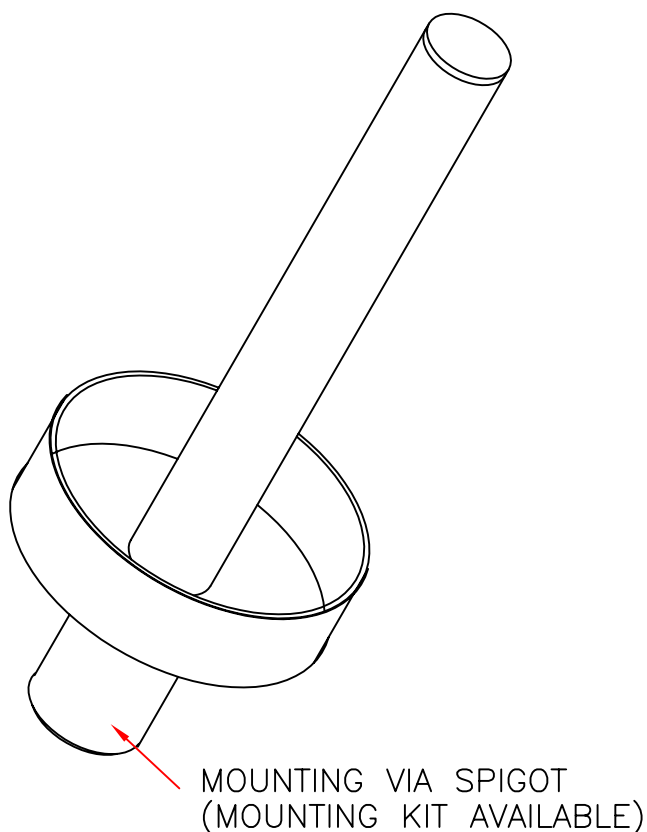
MODEL: AMHP12-24R/118

FREQUENCY: 2.30 - 2.70 GHz	GAIN: 12 dBiC
POLARISATION: R.H. Circular	BEAMWIDTH: 40° x 40°
AXIAL RATIO: 2 dB	VSWR: 1.5 : 1
POWER RATING: 20 W	FRONT TO BACK: 15 - 20 dB
TEMPERATURE: -20 to +50°C	MASS: 1.0 Kg/2.2 lbs
FINISH: Matt Black	WIND LOADING: 3.9Kg/8.7lbs @100mph

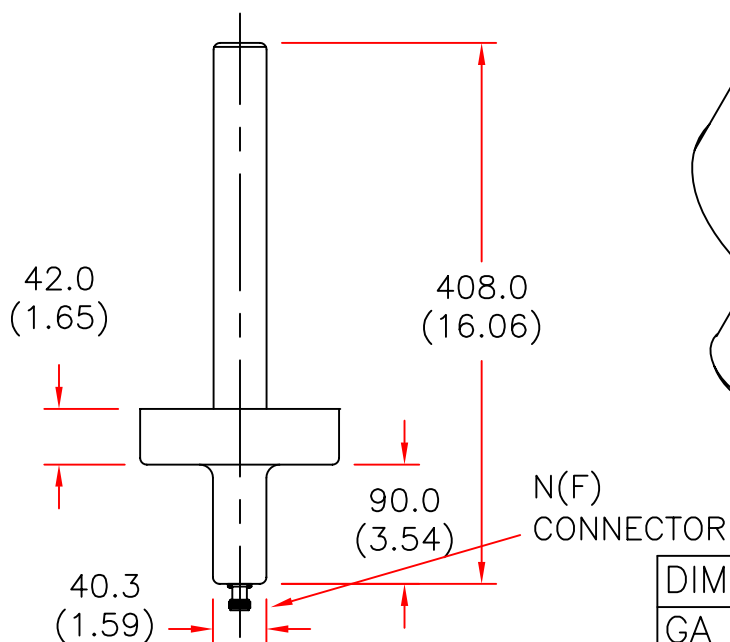
END VIEW



ISOMETRIC VIEW



SIDE VIEW



DIMENSIONS: mm (inches)

GA 118-1 ISSUE 160697

EUROPEAN ANTENNAS LTD.

TEL: +44 (0)1638 731888

LAMBDA HOUSE, CHEVELEY  
NEWMARKET, SUFFOLK, CB8 9RG,  
UNITED KINGDOM

FAX: +44 (0)1638 731999

European Antennas Ltd has a policy of continuous development and therefore stress that the data contained on this sheet should be used for guidance only.