

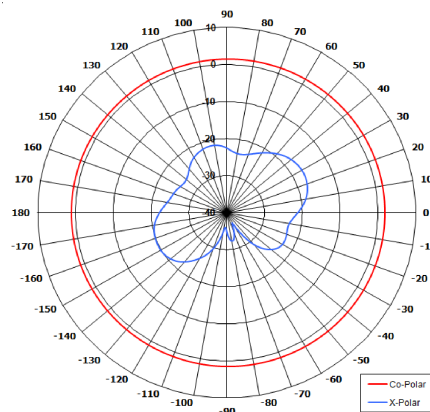
# SBA-0.39V/2116

Blade Antenna

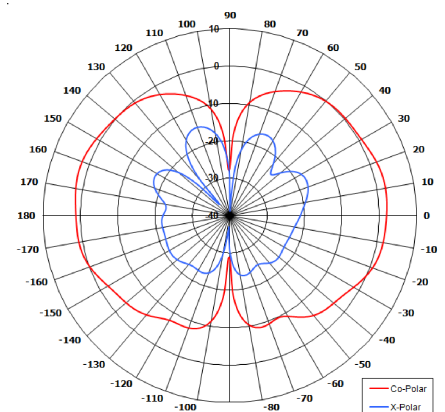
Provisional Specification

The most important thing we build is trust

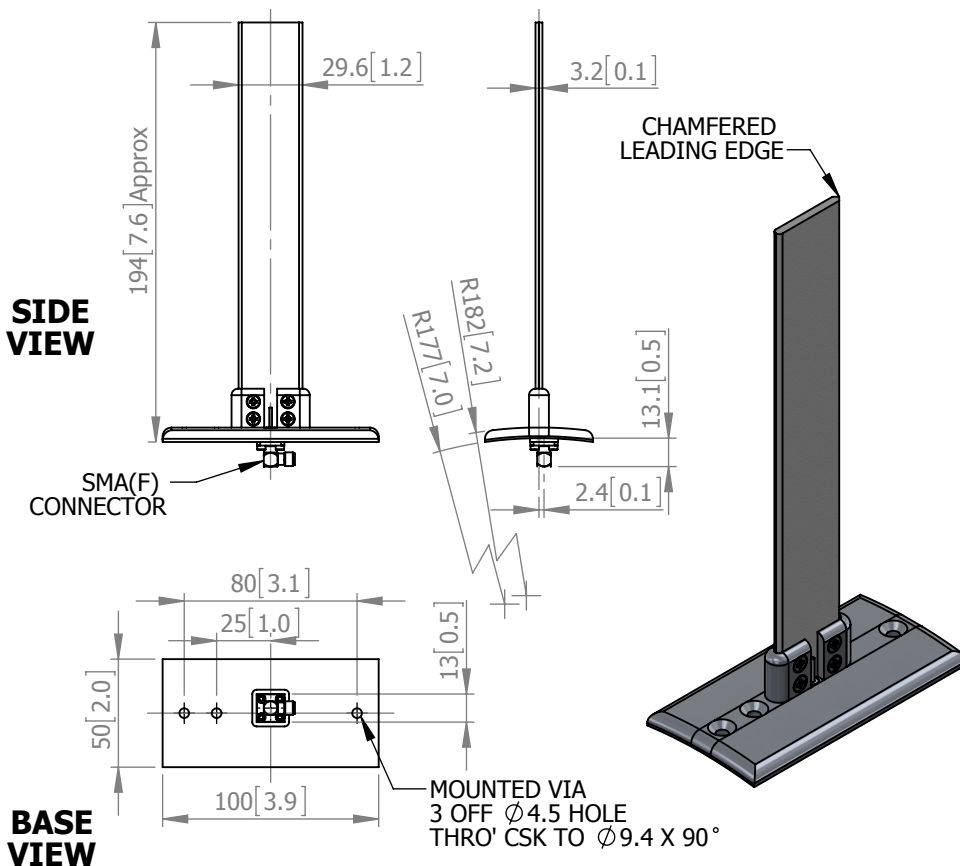
# COBHAM



Azimuth Polar Plot  
(similar product)



Elevation Polar Plot  
(similar product)



## ELECTRICAL\*

Frequency:	355 - 373 MHz
Gain:	0.5 dBiC Typ.
Polarisation:	Linear (Vertical)
Beamwidth:	360° (Az) x 80° (El) Approx
Cross Polar:	>20 dB Typ.
VSWR:	2.5:1 Max, >2:1 Typ
Power Rating:	10 W
Front to Back:	N/A

## MECHANICAL

Standard Finish:	Matt Black
Mass:	130 g / 4.5 oz Approx
Temperature:	-20° to +50°C

## MOUNTING OPTIONS

Kits Available:	N/A
See Separate Data Sheets	

\*Performance measured on 400x400 ground plane

GA: 2116-D Issued: 170414  
Dimensions: mm [inches] M

European Antennas Limited trading as Cobham Antenna Systems, Microwave Antennas

European Antennas Limited has a policy of continuous development and stress that the information provided is a guide only and does not constitute an offer or contract or part thereof. Whilst every effort is made to ensure the accuracy of the information contained in this Data Sheet, no responsibility can be accepted for any errors or omissions.

The copyright of antenna designs and images is copyright protected and owned by European Antennas Limited.  
©European Antennas Limited.

For further information please contact:

Cobham Antenna Systems, Microwave Antennas, Lambda House, Cheveley, Newmarket, Suffolk, CB8 9RG, UK

T: +44 (0) 1638 732177  
E: [newmarket.sales@cobham.com](mailto:newmarket.sales@cobham.com)  
W: [www.cobham.com/antennasystems/microwaveantennas](http://www.cobham.com/antennasystems/microwaveantennas)