

SVD2-3350/2181

Slim Omni Antenna

Provisional Specification

COBHAM

The most important thing we build is trust

Key Features

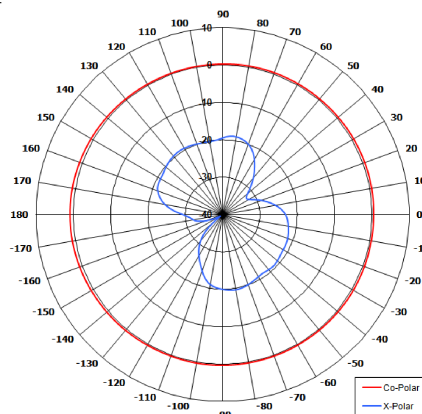
Designed for Multiple Applications

Suitable for Mobile Applications

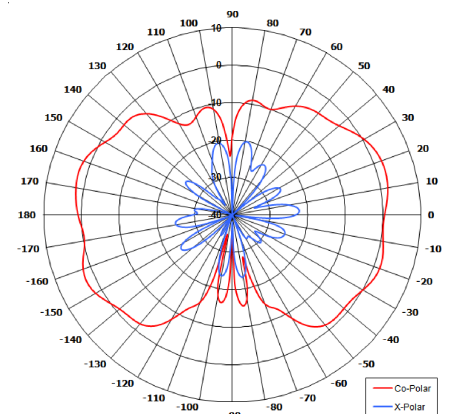
Compact

Lightweight

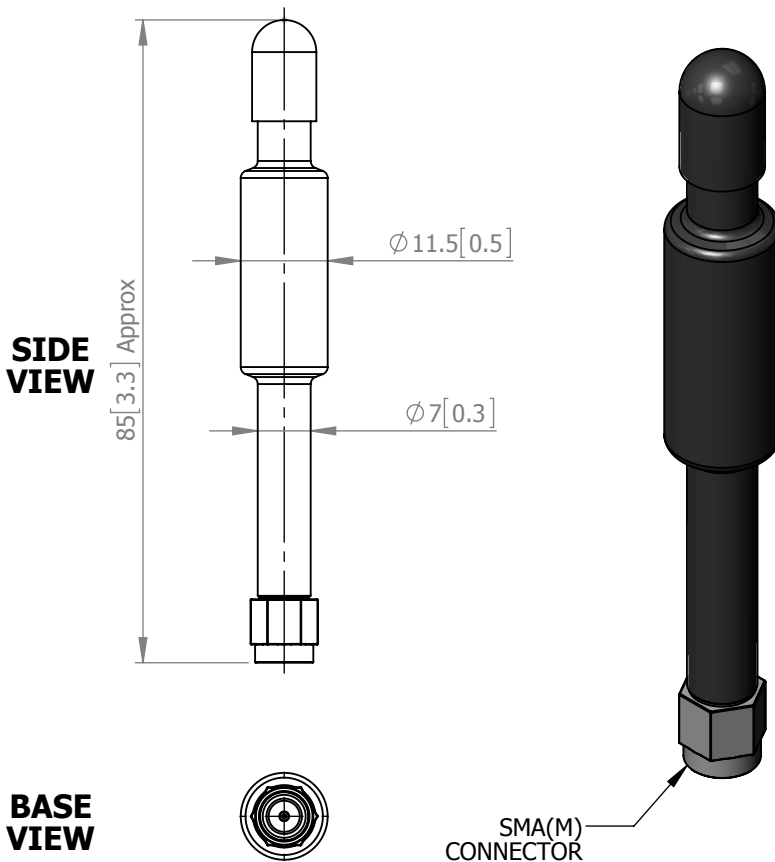
Ground Plane Independent



Azimuth Polar Plot
(similar product)



Elevation Polar Plot
(similar product)



ELECTRICAL

Frequency: 3.18 - 3.41 GHz

Gain: 2 dBiC Nom.

Polarisation: Linear (Vertical)

Beamwidth: 360° (Az) x 80° (El) Approx

Cross Polar: 15 - 20 dB Typ.

VSWR: 2:1 Typ

Power Rating: 5 W

Front to Back: N/A

MECHANICAL

Standard Finish: Matt Black

Mass: 30 g / 1.07 oz Approx

Temperature: -20° to +50°C

Wind Loading: N/A

MOUNTING OPTIONS

Kits Available: N/A

See Separate Data Sheets

GA: 2181-A Issued: 170414

Dimensions: mm [inches] M

European Antennas Limited trading as Cobham Antenna Systems, Microwave Antennas

European Antennas Limited has a policy of continuous development and stress that the information provided is a guide only and does not constitute an offer or contract or part thereof. Whilst every effort is made to ensure the accuracy of the information contained in this Data Sheet, no responsibility can be accepted for any errors or omissions.

The copyright of antenna designs and images is copyright protected and owned by European Antennas Limited.
©European Antennas Limited.

For further information please contact:

Cobham Antenna Systems, Microwave Antennas, Lambda House, Cheveley, Newmarket, Suffolk, CB8 9RG, UK

T: +44 (0) 1638 732177

E: newmarket.sales@cobham.com

W: www.cobham.com/antennasystems/microwaveantennas