

# OA2-4.7V/2126

# COBHAM

Omni antenna

The most important thing we build is trust

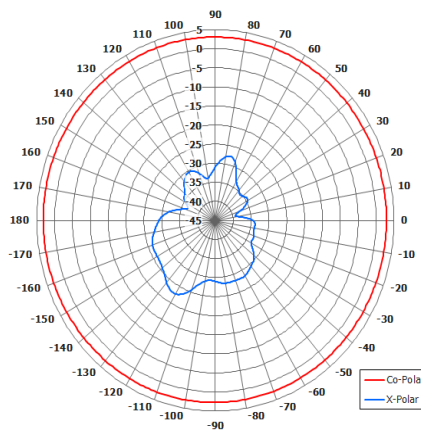
Designed for Security Application

Suitable for Multiple Applications

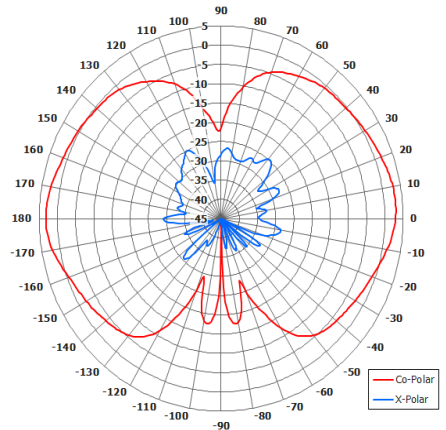
Rugged

Vertical Polarisation

Ground Plane Independent



Azimuth Pattern



Elevation Pattern

### ELECTRICAL

Frequency	4.40 - 5.00 GHz
Gain	2.5 dBi Typ
Polarisation	Linear (Vertical)
Beamwidth	360° (Az) x 60° (El) Approx
Cross Polar	>20 dB
VSWR	1.5:1
Power Rating	10W
Front to Back	N/A
Electrical Tilt	0°

### MECHANICAL

Standard Finish	Matt Black
Mass	60g (2.1 oz)
Temperature	-40° to +60°C
Wind Loading	0.4 Kg (0.9lbs) @ 100mph

### MOUNTING OPTIONS

Kits Available	None
See separate data sheets	

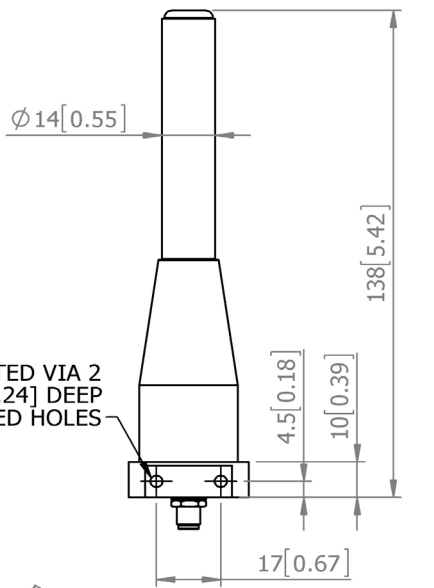
### ADDITIONAL NOTES

Issued 060314

For further information please contact:

Cobham Antenna Systems, Microwave Antennas  
 Lambda House, Cheveley,  
 Newmarket, Suffolk CB8 9RG, UK.  
 Tel +44 (0)1638 732 177  
 Fax +44 (0) 1638 731999  
 Email newmarket.sales@cobham.com

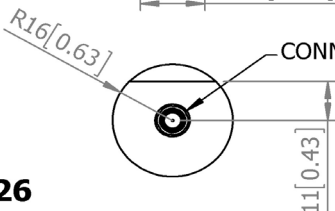
### SIDE VIEW



MOUNTED VIA 2  
 M4 x 6 [0.24] DEEP  
 TAPPED HOLES

SMA(F)  
 CONNECTOR

### BASE VIEW



**GA: 2126**

European Antennas Limited trading as Cobham Antenna Systems, Microwave Antennas

European Antennas Limited has a policy of continuous development and stress that the information provided is a guide only and does not constitute an offer or contract or part thereof. Whilst every effort is made to ensure the accuracy of the information contained in this brochure, no responsibility can be accepted for any errors or omissions.

The copyright of antenna designs and images is copyright protected and owned by European Antennas Limited.  
 ©European Antennas Limited