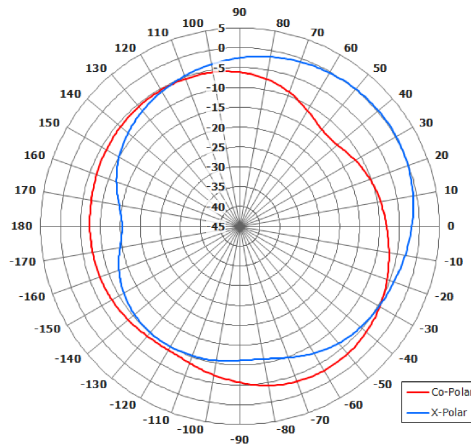


QOA2-2.4DS/2162

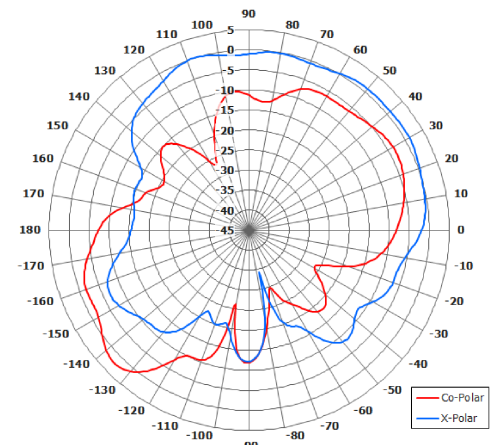
Quad Slant Dual 45° Antenna

Provisional Specification

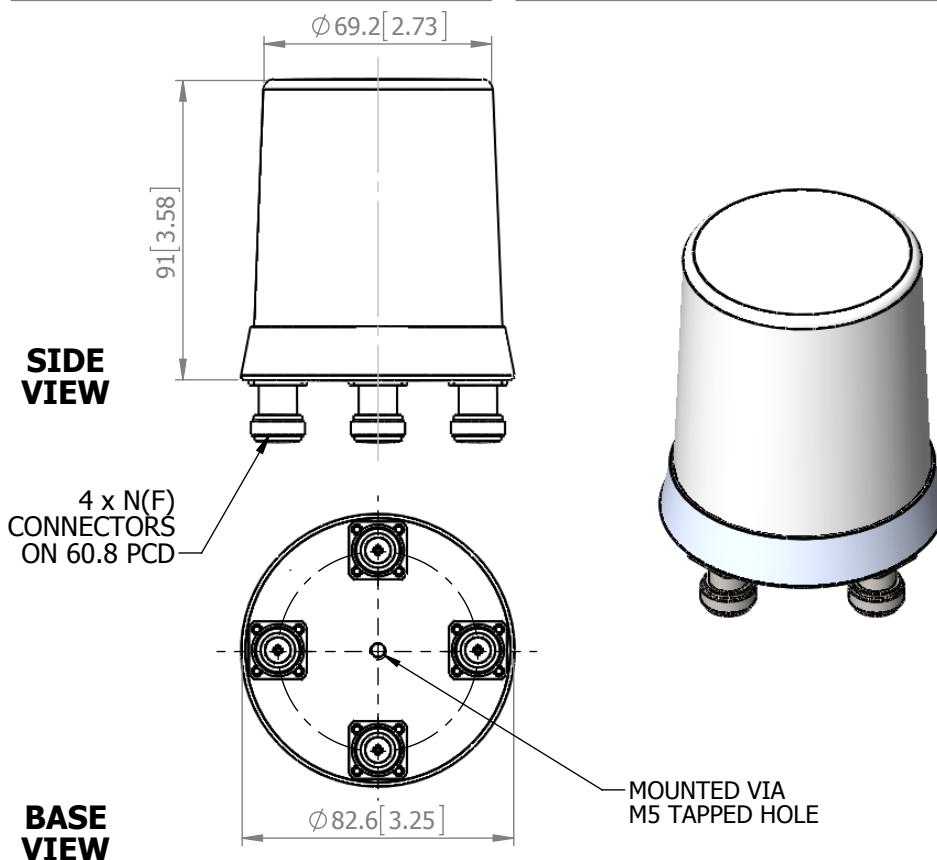
The most important thing we build is trust.



Azimuth Polar Plot



Elevation Polar Plot



ELECTRICAL

Frequency:	2.30 - 2.50 GHz
Gain:	0 - 4 dBi Nom.
Polarisation:	2 x Dual Slant 45 degrees
Beamwidth:	360° (Az) x 80° (E) Approx.
Cross Polar:	N/S
VSWR:	2:1 max
Power Rating:	10 W
Front to Back:	N/A
Electrical Tilt:	0°

MECHANICAL

Standard Finish:	White Radome
Mass:	450g (15.9 ozs)
Temperature:	-20° to +50°C
Wind Loading:	1.1 Kg (2.35 lbs) @ 100 mph

MOUNTING OPTIONS

Kits Available:	N/A
See Separate Data Sheets	

GA: 2162-A	Issued: 060314
Dimensions: mm [inches]	M

European Antennas Limited trading as Cobham Antenna Systems, Microwave Antennas

European Antennas Limited has a policy of continuous development and stress that the information provided is a guide only and does not constitute an offer or contract or part thereof. Whilst every effort is made to ensure the accuracy of the information contained in this datasheet, no responsibility can be accepted for any errors or omissions.

The copyright of antenna designs and images is copyright protected and owned by European Antennas Limited.
©European Antennas Limited.

For further information please contact:

Cobham Antenna Systems, Microwave Antennas

Lambda House, Cheveley,
Newmarket, Suffolk. CB8 9RG, UK
Tel +44 (0)1638 732177
Fax +44 (0)1638 731999
E-mail newmarket.sales@cobham.com