

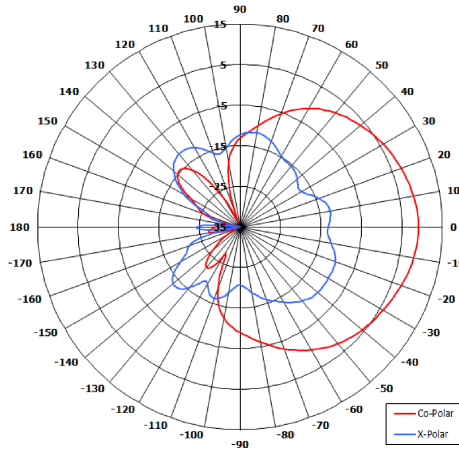
FPA-0.6-6.0R/2154

Directional Antenna

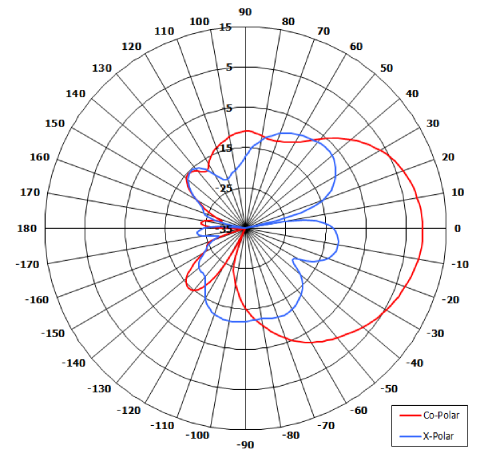
Provisional Specification



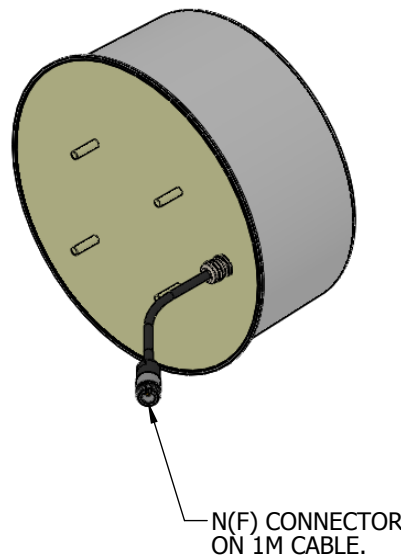
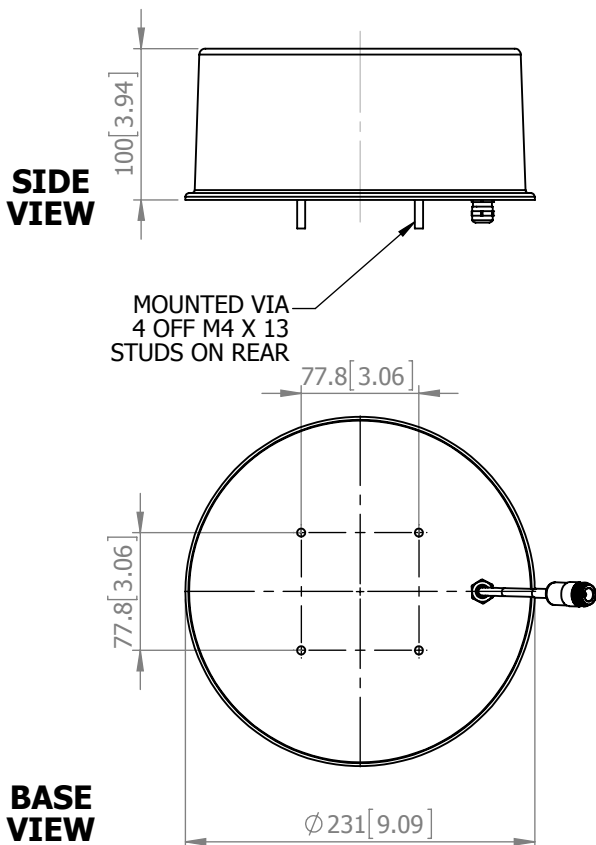
The most important thing we build is trust.



Azimuth Polar Plot (similar product)



Elevation Polar Plot (similar product)



ELECTRICAL

Frequency:	0.6 - 6.0 GHz
Gain:	see sheet 2
Polarisation:	Right Hand Circular
Beamwidth:	see sheet 2
Axial Ratio:	see sheet 2
VSWR:	<2:1 Typ. 2.2:1 Worst Case
Power Rating:	25 W

MECHANICAL

Standard Finish:	White
Mass:	500 g (1.1 lbs) Approx.
Temperature:	-20° to +50°C
Wind Loading:	6.7 Kg (14.8 lbs) @ 100 mph

MOUNTING OPTIONS

Kits Available:	MK4/B
See Separate Data Sheets	

Sheet 1 of 2

GA: 2154-C Issued: 220114
Dimensions: mm [inches] H

European Antennas Limited trading as Cobham Antenna Systems, Microwave Antennas

European Antennas Limited has a policy of continuous development and stress that the information provided is a guide only and does not constitute an offer or contract or part thereof. Whilst every effort is made to ensure the accuracy of the information contained in this datasheet, no responsibility can be accepted for any errors or omissions.

The copyright of antenna designs and images is copyright protected and owned by European Antennas Limited.
©European Antennas Limited.

For further information please contact:

Cobham Antenna Systems, Microwave Antennas

Lambda House, Cheveley,
Newmarket, Suffolk. CB8 9RG, UK
Tel +44 (0)1638 732177
Fax +44 (0)1638 731999
E-mail newmarket.sales@cobham.com

FPA-0.6-6.0R/2154

Directional Antenna

Provisional Specification



The most important thing we build is trust.

PERFORMANCE

FREQUENCY:	0.6 - 1.0 GHz	1.0 - 2.0 GHz	2.0 - 4.0 GHz	4.0 - 6.0 GHz
GAIN:	-1.4 - 3.1 dBiC	1.6 - 7.6 dBiC	7.3 - 9.0 dBiC	6.0 - 7.6 dBiC
	1.9 dBiC Typical	5.5 dBiC Typical	9.1 dBiC Typical	7.8 dBiC Typical
AXIAL RATIO:	11.1 - 3.5 dB	0.4 - 5.3 dB	0.5 - 1.7 dB	0.2 - 1.7 dB
	7.8 dB Typical	2.5 dB Typical	0.9 dB Typical	0.9 dB Typical
AZIMUTH HPBW:	60.4 - 85.3°	45.1 - 87.9°	43.2 - 88.0°	68.0 - 103.9°
	72° Typical	62° Typical	66° Typical	89° Typical
ELEVATION HPBW:	56.9 - 79.7°	56.9 - 84.7°	49.5 - 74.7°	73.3 - 101.6°
	69° Typical	65° Typical	61° Typical	88° Typical

GA: 2154-B

Issued: 081113

Sheet 2 of 2

European Antennas Limited trading as Cobham Antenna Systems, Microwave Antennas

European Antennas Limited has a policy of continuous development and stress that the information provided is a guide only and does not constitute an offer or contract or part thereof. Whilst every effort is made to ensure the accuracy of the information contained in this Data Sheet, no responsibility can be accepted for any errors or omissions.

The copyright of antenna designs and images is copyright protected and owned by European Antennas Limited.
©European Antennas Limited.

For further information please contact:

Cobham Antenna Systems, Microwave Antennas

Lambda House, Cheveley,
Newmarket, Suffolk. CB8 9RG, UK
Tel +44 (0) 1638 732177
Fax +44 (0) 1638 731999
Email antennasystems.ma@cobham.com