

OA4-1.8V/1962

COBHAM

Omni Antenna

The most important thing we build is trust

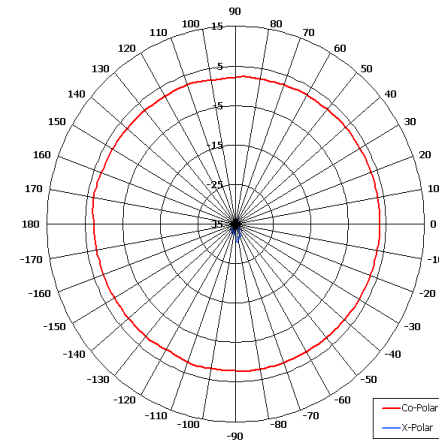
Designed for Electronic Warfare Application

Rugged

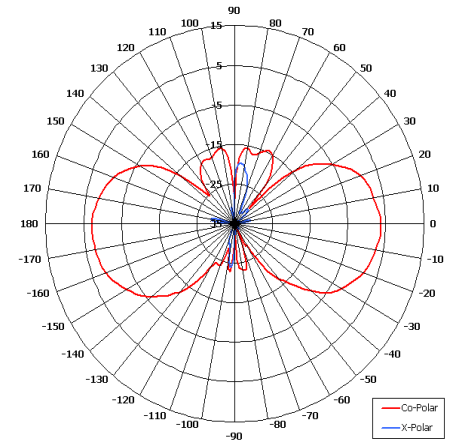
Quick Field Deployable Mount

Integrated with Spring Mount

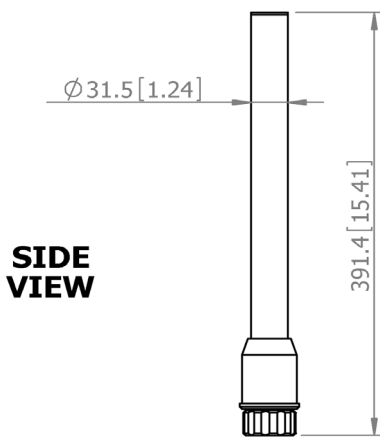
NATO Mounting Options



Azimuth Pattern



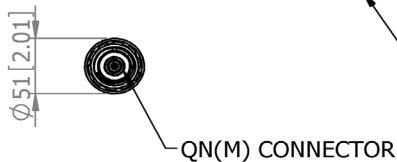
Elevation Pattern



SIDE VIEW

BASE VIEW

GA: 1962



M36 SCREW COUPLING WITH INTERNAL O-RING, FOR USE WITH MK6/A OR B

ELECTRICAL

Frequency	1.71 - 1.88 GHz
Gain	4.4 dBi Nom
Polarisation	Linear (Vertical)
Beamwidth	360° (Az) x 38° (El) Approx
Cross Polar	>25 dB
VSWR	2:1 Max, 1.5:1 Typ
Power Rating	50 W
Electrical Tilt	-4° Typ

MECHANICAL

Standard Finish	Matt Black
Mass	394g Approx
Temperature	-40° to +60°C
Wind Loading	2.37 Kg(5.0 lbs) @ 100mph

MOUNTING OPTIONS

Kits Available	MK6/A, MK6/B
See separate data sheets	

ADDITIONAL NOTES

Issued 121212

European Antennas Limited trading as Cobham Antenna Systems, Microwave Antennas

European Antennas Limited has a policy of continuous development and stress that the information provided is a guide only and does not constitute an offer or contract or part thereof. Whilst every effort is made to ensure the accuracy of the information contained in this brochure, no responsibility can be accepted for any errors or omissions.

The copyright of antenna designs and images is copyright protected and owned by European Antennas Limited.
©European Antennas Limited

For further information please contact:

Cobham Antenna Systems, Microwave Antennas
Lambda House, Cheveley,
Newmarket, Suffolk CB8 9RG, UK.
Tel +44 (0)1638 732 177
Fax +44 (0) 1638 731999
Email newmarket.sales@cobham.com