



EUROPEAN ANTENNAS

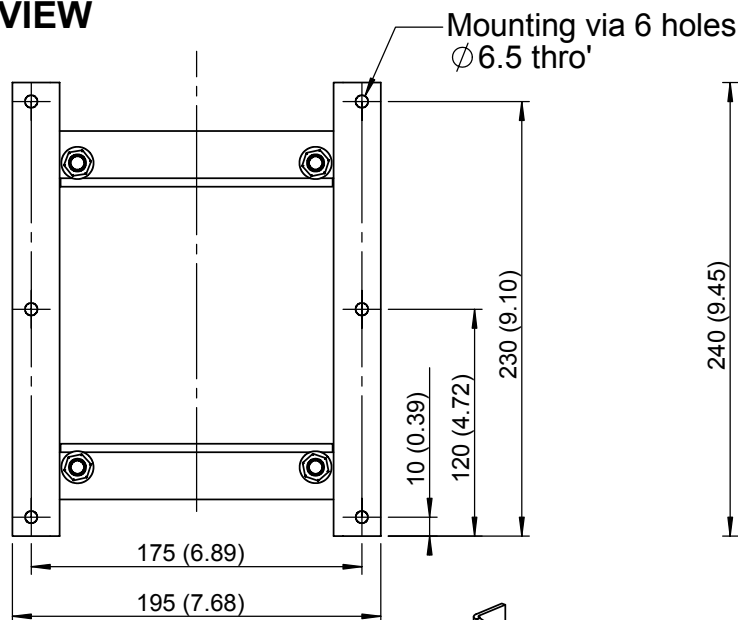
Excellence through design
Creative in concept

MEDIUM WEIGHT MOUNTING KIT

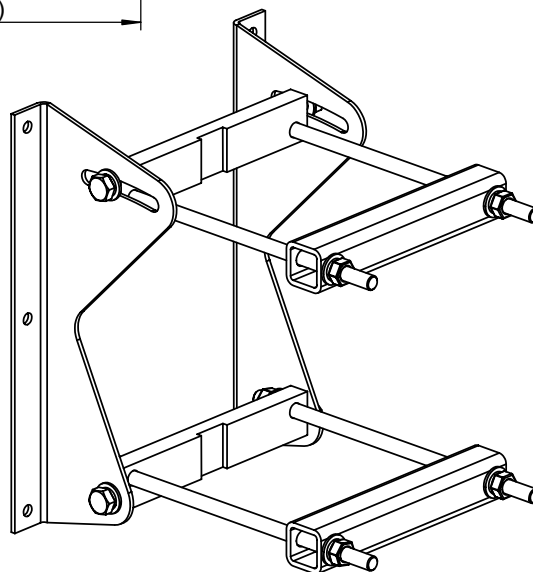
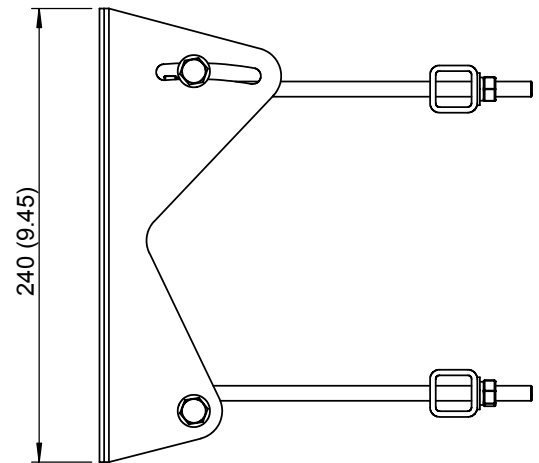
MODEL: MK038

MATERIAL:	304L Stainless steel	FINISH:	Natural
THICKNESS:	2.5mm	MASS:	< 2.7Kg
POLE SIZE:	Fits 2" - 4.5"	TILT ADJUSTMENT:	+5° to -10°

END VIEW



SIDE VIEW



PICTORIAL VIEW

DIMENSIONS: mm (inches)

GA: 038A-1 Issued: 170103

EUROPEAN ANTENNAS LTD.

Tel: +44 (0)1638 731888
Fax: +44 (0)1638 731999

LAMBDA HOUSE, CHEVELEY
NEWMARKET, SUFFOLK, CB8 9RG,
UNITED KINGDOM

E-Mail: sales@european-antennas.co.uk
Website: www.european-antennas.co.uk

European Antennas Ltd. has a policy of continuous development and therefore stress that the data contained on this sheet should be used for guidance only.