



EUROPEAN ANTENNAS

Excellence through design
Creative in concept

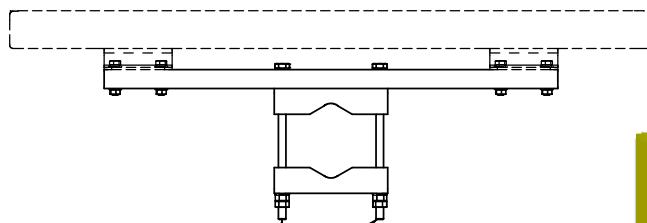
POLE MOUNTING KIT

MODEL: FPA13-900V-LPA7-455V MOUNTING KIT / 080A

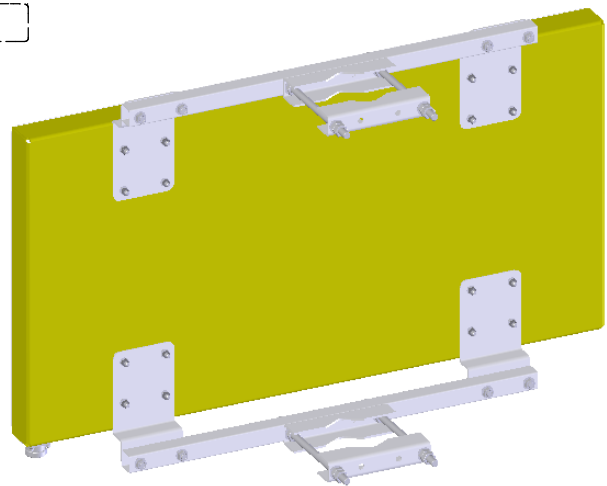
MATERIAL: ALL PARTS STAINLESS STEEL **MOUNTING:** FITS POLE SIZES 50mm(2") TO 89mm (3.5")

NOTE: MOUNTING KIT SHOWN ATTACHED TO ANTENNA 1205B (SOLD SEPERATELY)

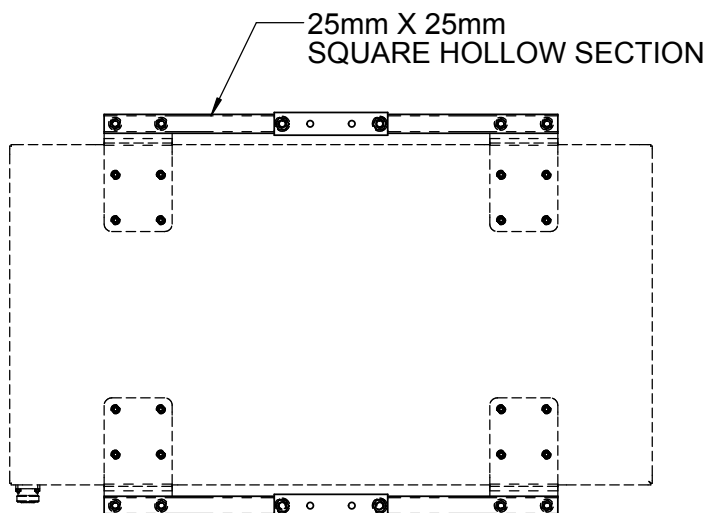
TOP VIEW



M10 SET SCREWS



PICTORIAL VIEW



REAR VIEW

| | |
|-------------------------|----------------|
| DIMENSIONS: mm (inches) | M |
| GA: 080A-1 | Issued: 080906 |

EUROPEAN ANTENNAS LTD.

Tel: +44 (0)1638 731888
Fax: +44 (0)1638 731999

LAMBDA HOUSE, CHEVELEY
NEWMARKET, SUFFOLK, CB8 9RG,
UNITED KINGDOM

E-Mail: sales@european-antennas.co.uk
Website: www.european-antennas.co.uk