



EUROPEAN ANTENNAS

Excellence through design
Creative in concept

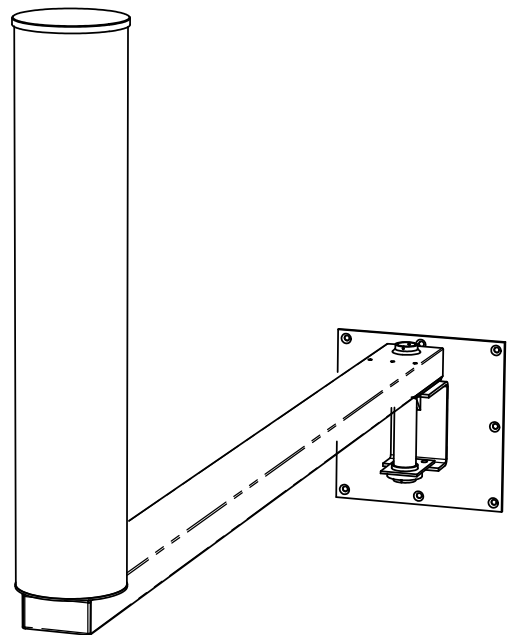
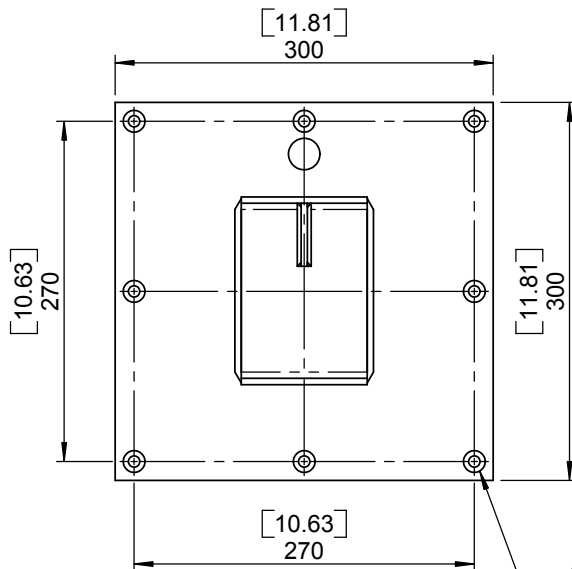
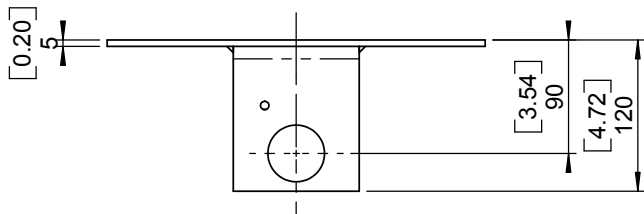
WALL MOUNTING KIT

MODEL: MKT5 WALL/090A

MOUNTING: Enables mounting arms 089A, 100A & 102A (sold separately) to be mounted to wall

MATERIAL: Mild Steel
FINISH: Gloss white semi-spatter
MASS: 4.6 Kg / 10.1 lbs Approx.

TOP VIEW



PICTORIAL VIEW

(SHOWN WITH 'LONG' MOUNTING ARM AND ANTENNA - SOLD SEPERATELY)

MOUNTS TO WALL VIA
8 HOLES $\phi 9.0$ THRO',
CSK $\phi 17.3 \times 90^\circ$

FRONT VIEW

DIMENSIONS: mm (inches) M
GA: 090A-1 Issued: 171106

EUROPEAN ANTENNAS LTD.

Tel: +44 (0)1638 731888
Fax: +44 (0)1638 731999

LAMBDA HOUSE, CHEVELEY
NEWMARKET, SUFFOLK, CB8 9RG,
UNITED KINGDOM

E-Mail: sales@european-antennas.co.uk
Website: www.european-antennas.co.uk