



# EUROPEAN ANTENNAS

Excellence through design  
Creative in concept

## POLE MOUNT KIT

### MODEL: PSA-50200-LP POLE MOUNT KIT / 117A

**MATERIAL:** St. Steel, Mild Steel & Al.

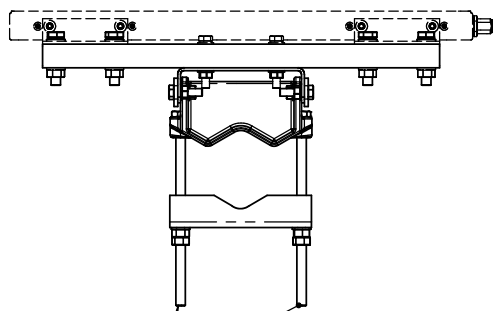
**MOUNTING:** Fits pole sizes 40mm(1.6") TO 120mm (4.7")

**EL. ADJUSTMENT:**  $\pm 14^\circ$

**MASS:** 4Kg / 8.8lbs

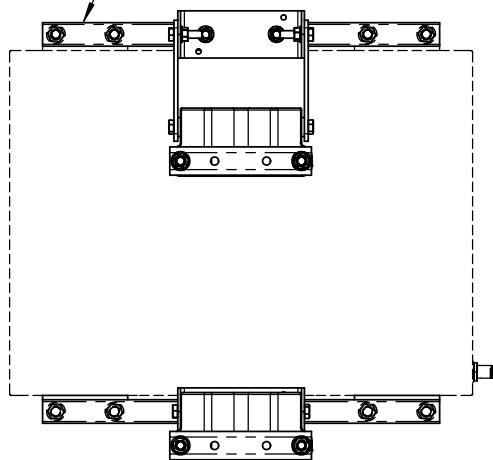
**AZ. ADJUSTMENT:** Via rotation on pole

### TOP VIEW

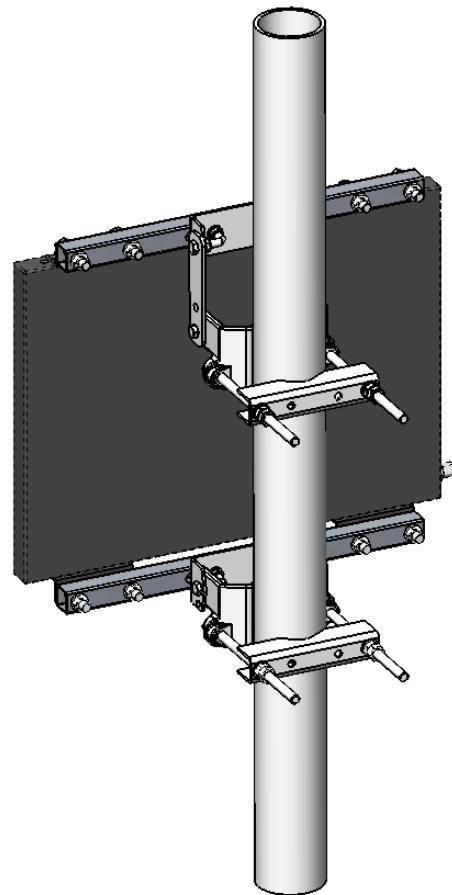


M10 SET SCREWS

25mm X 25mm  
SQUARE HOLLOW SECTION



### REAR VIEW



### PICTORIAL VIEW

(SHOWN FITTED TO 1211B  
ANTENNA - SOLD  
SEPERATELY)

DIMENSIONS: mm (inches)	M
GA: 117A-1	Issued: 050407

EUROPEAN ANTENNAS LTD.

Tel: +44 (0)1638 731888  
Fax: +44 (0)1638 731999

LAMBDA HOUSE, CHEVELEY  
NEWMARKET, SUFFOLK, CB8 9RG,  
UNITED KINGDOM

E-Mail: [sales@european-antennas.co.uk](mailto:sales@european-antennas.co.uk)  
Website: [www.european-antennas.co.uk](http://www.european-antennas.co.uk)