

MEDIUM WEIGHT MOUNTING KIT - DOMO/136A



MECHANICAL

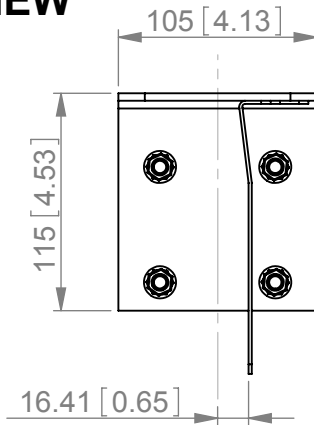
MOUNTING:	FITS UP TO 50.8MM (2") POLES
EL. ADJUSTMENT:	NONE
AZ. ADJUSTMENT:	VIA ROTATION ON POLE
MATERIAL:	MILD STEEL BRACKETS, ST. STEEL FASTENERS
STANDARD FINISH:	ZINC PLATED
MASS:	1.3 Kg / 2.86 lbs

KIT CONSISTS OF:

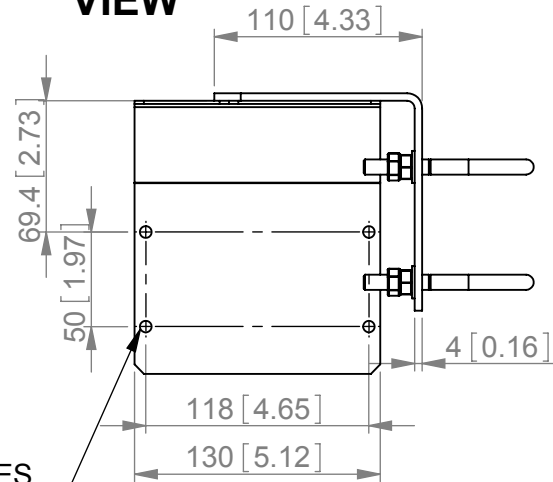
- POLE MOUNT BRACKET
- DOWN CONVERTER MOUNT PLATE
- U-BOLTS + FASTENERS
- M10 SET SCREWS FOR FITMENT TO ANTENNA

GA: 136A-1 Issued: 061108
 DIMENSIONS: mm [inches] H

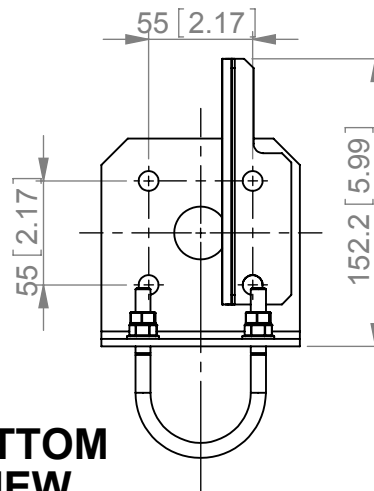
FRONT VIEW



SIDE VIEW

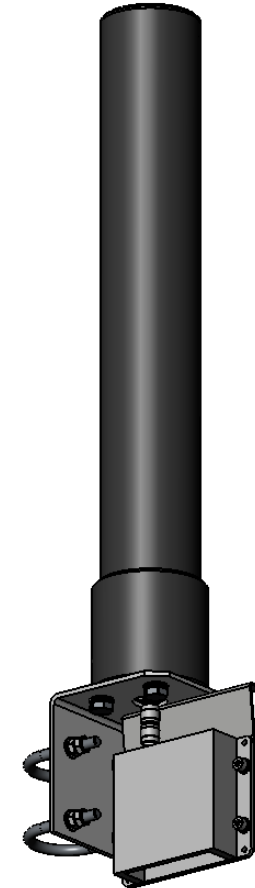


Ø6.2 HOLES FOR DOWN CONVERTER



BOTTOM VIEW

ISOMETRIC VIEW
 (SHOWN FITTED TO ANTENNA AND DOWN CONVERTER)



MEDIUM WEIGHT MOUNTING KIT - DOMO/136A

European Antennas Ltd. has a policy of continuous development and therefore stress that the data contained on this sheet should be used for guidance only.

European Antennas Ltd. is part of the Cobham Antennas Division



Certificate No 9268

European Antennas Ltd
 Lambda House, Cheveley
 Newmarket, Suffolk, CB8 9RG, UK
 Tel: +44 (0)1638 731888
 sales@european-antennas.co.uk
www.european-antennas.co.uk