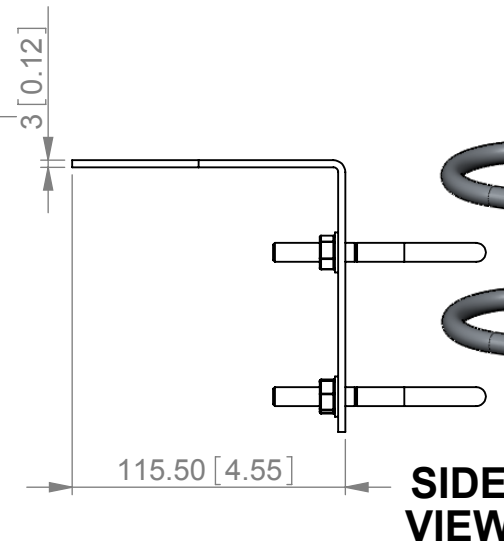
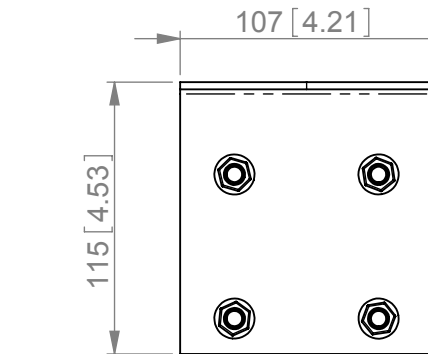
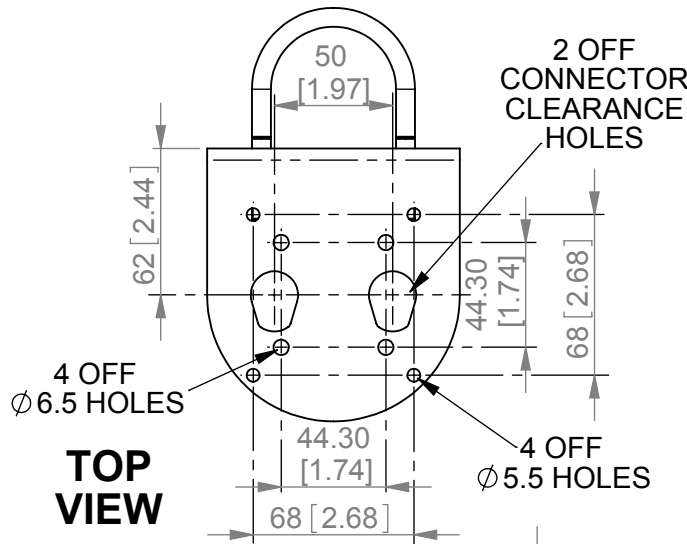


HOA2 MOUNTING BRACKET/155A

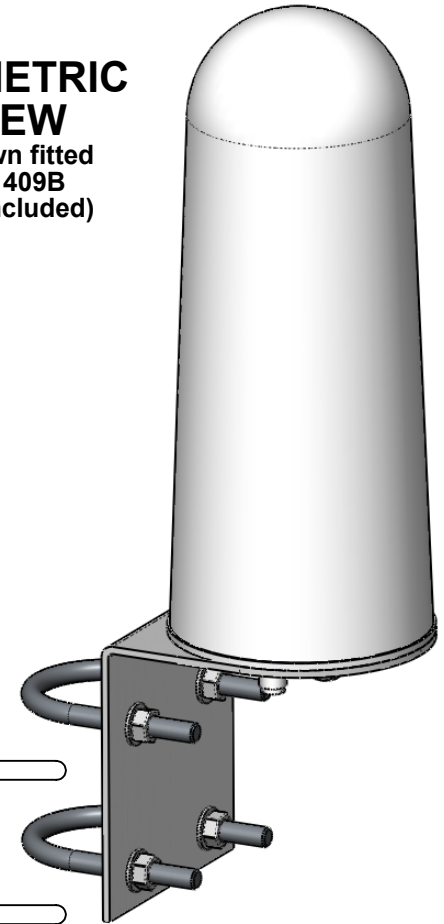


MECHANICAL

MOUNTING:	Fits up to 50.8mm(2") Poles
EL ADJUSTMENT:	None
AZ ADJUSTMENT:	Via Rotation on Pole
MATERIAL:	St. Steel Bracket
	St. Steel Fasteners
STANDARD FINISH:	Natural
MASS:	1 Kg / 2.2 lbs



ISOMETRIC VIEW
(Shown fitted to 1409B Not Included)



HOA2 MOUNTING BRACKET/155A

GA: 155A-2 Issued: 160508
DIMENSIONS: mm [inches] M

European Antennas Ltd. has a policy of continuous development and therefore stress that the data contained on this sheet should be used for guidance only.

European Antennas Ltd. is part of the Cobham Antennas Division



Certificate No 9268

European Antennas Ltd
Lambda House, Cheveley
Newmarket, Suffolk, CB8 9RG, UK
Tel: +44 (0)1638 731888
sales@european-antennas.co.uk
www.european-antennas.co.uk