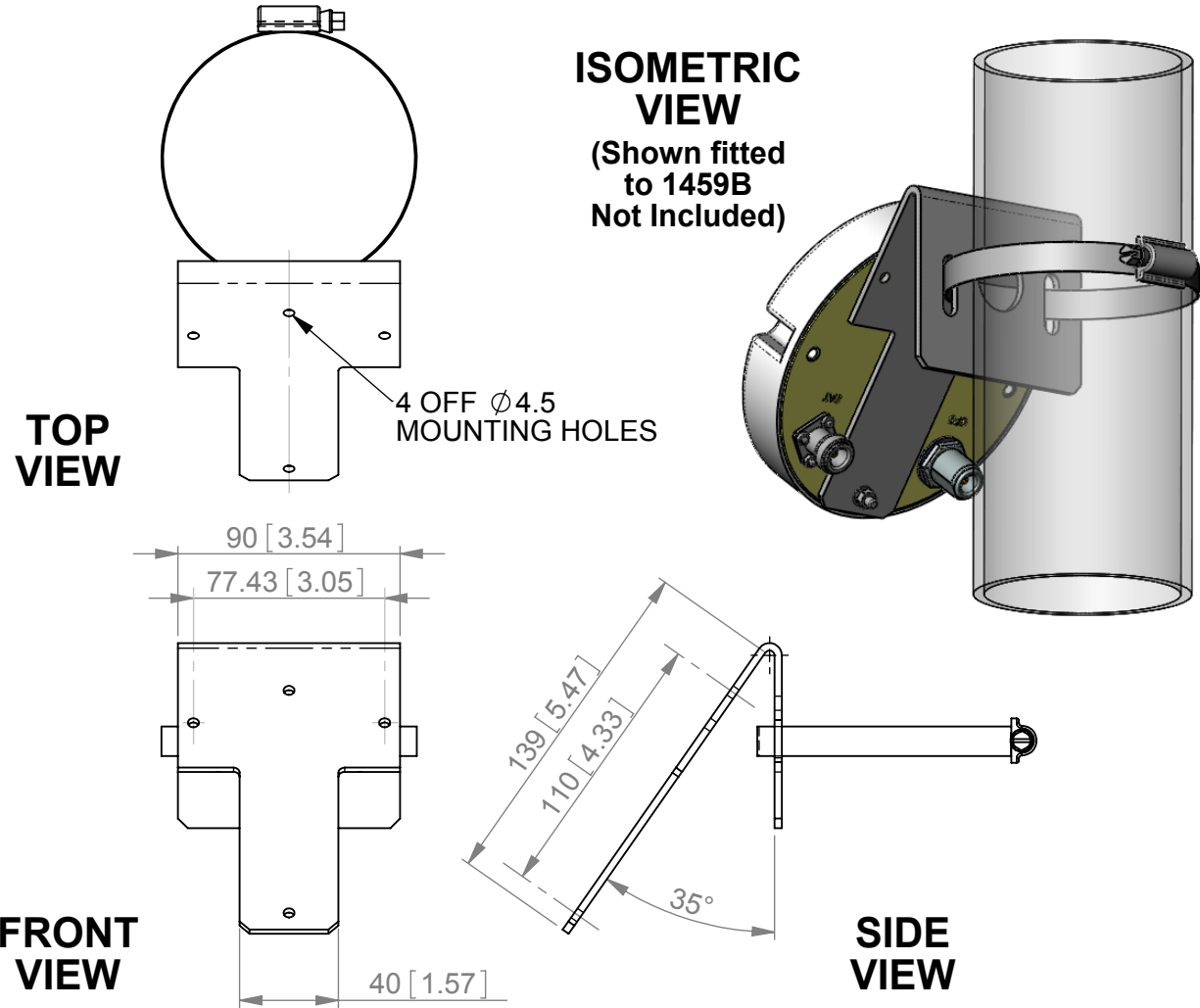


# LPA7 35DEG MOUNTING BRACKET/159A



## MECHANICAL

<b>MOUNTING:</b>	Fits up to 101.6mm (4") Poles
<b>EL ADJUSTMENT:</b>	None
<b>AZ ADJUSTMENT:</b>	Via Rotation on Pole
<b>MATERIAL:</b>	St. Steel Bracket St. Steel Fasteners
<b>STANDARD FINISH:</b>	Natural
<b>MASS:</b>	0.35 Kg / 0.77 lbs



LPA7 35DEG MOUNTING BRACKET/159A

GA: 159A-2 Issued: 221208  
 DIMENSIONS: mm [inches] M

European Antennas Ltd. has a policy of continuous development and therefore stress that the data contained on this sheet should be used for guidance only.

European Antennas Ltd. is part of the Cobham Antennas Division



Certificate No 9268

European Antennas Ltd  
 Lambda House, Cheveley  
 Newmarket, Suffolk, CB8 9RG, UK  
 Tel: +44 (0)1638 731888  
 sales@european-antennas.co.uk  
[www.european-antennas.co.uk](http://www.european-antennas.co.uk)